

Installation and User Instructions



Installation and User Instructions	2
Instrucciones de instalación y uso	30
Installations- und Bedienungsanleitung	58
Instructions d'installation et d'utilisation	86
Installatiehandleiding en gebruiksaanwijzing	114

Disclaimer

SpeedComfort makes no representations or warranties with respect to this manual and, to the maximum extent permitted by law, expressly limits its liability for breach of any warranty that may be implied to the replacement of this manual with another. Furthermore, SpeedComfort reserves the right to revise this publication at any time without incurring an obligation to notify any person of the revision.

The information provided in this documentation contains general descriptions and technical characteristics of the performance of the products contained herein. This documentation is not intended as a substitute for and is not to be used for determining suitability or reliability of these products for specific user applications. It is the duty of any such user or integrator to perform the appropriate and complete risk analysis, evaluation and testing of the products with respect to the relevant specific application or use thereof. Neither SpeedComfort nor any of its affiliates or subsidiaries shall be responsible or liable for misuse of the information that is contained herein. If you have any suggestions for improvements or amendments or have found errors in this publication, please notify us.

All pertinent state, regional, and local safety regulations must be observed when installing and using this product. For reasons of safety and to help ensure compliance with documented system data, only the manufacturer shall perform repairs to components.

Failure to observe this information can result in injury or equipment damage.

Copyright © 2018 by SpeedComfort

All rights reserved. No part of this publication may be reproduced, distributed, or transmitted in any form or by any means, including photocopying, recording, or other electronic or mechanical methods, without the prior written permission of the publisher. For permission requests, write to the publisher, addressed "Attention: Permissions Coordinator," at the address below.

SpeedComfort

Antwoordnummer 7200

3734ZW Den Dolder

The Netherlands

Tel: +31 85 666 62 23

Email: info@speedcomfort.com

Website: <https://www.speedcomfort.com>

Table of Contents

1.	Preface	4
1.1.	Description of the User	4
1.2.	Conventions Used in this Manual	4
1.3.	Explanation of Safety Warnings	4
1.4.	Retaining Instructions	4
1.5.	Obtaining Documentation and Information	5
2.	Description of the Product	6
2.1.	Intended Use and Reasonably Foreseeable Misuse	6
2.2.	System Overview	6
2.3.	Technical Data	6
2.4.	Components	8
3.	Safety Instructions	13
3.1.	How to Use the Product Safely	13
4.	Installation	15
4.1.	Selecting the Components	15
4.2.	Connect the SpeedComfort to the Radiator	16
4.3.	Optimize the Central Heating	22
5.	Maintenance	23
5.1.	How to Maintain the SpeedComfort	23
6.	Troubleshooting	24
7.	Disposal	27
7.1.	Disposal of the Product	27
7.2.	Disposal of Packaging Waste	27
8.	Glossary	28

1. Preface

1.1. Description of the User

This installation manual is intended for the end-user, the general homeowner, who wants to install one or more SpeedComforts on the radiators in his home. The user does not need to be skilled, trained or certified to install the SpeedComfort.

1.2. Conventions Used in this Manual

The following style conventions are used in this document:

Bold

Names of product elements

Italic

Emphasis (for example a new term)

1.3. Explanation of Safety Warnings



Caution indicates a hazard with a low level of risk which, if not avoided, could result in minor or moderate injury.

NOTICE

Notice indicates information considered important, but not hazard-related.

1.4. Retaining Instructions

Read and understand this manual and its safety instructions before using this product.

Follow all the instructions. This will avoid fire, explosions, electric shocks or other hazards that may result in damage to property and/or injuries.

The product shall only be used by persons who have fully read and understand the contents of this user manual.

Ensure that each person who uses the product has read these warnings and instructions and follows them.

Keep all safety information and instructions for future reference and pass them on to subsequent users of the product.

The manufacturer is not liable for cases of material damage or personal injury caused by incorrect handling or non-compliance with the safety instructions. In such cases, the warranty will be voided.

1.5. Obtaining Documentation and Information

1.5.1. Internet

The latest version of the documentation is available at the following address:

<https://www.speedcomfort.nl/home/speedcomfort-manual/>

1.5.2. Ordering documentation

Documentation, user instructions and technical information can be ordered by calling SpeedComfort at +31 85 666 62 23.

1.5.3. Documentation feedback

If you are reading **SpeedComfort** product documentation on the internet, any comments can be submitted on the support website. Comments can also be sent to info@speedcomfort.com.

We appreciate your comments.

1.5.4. Support and service

For information, questions, technical assistance, service or ordering user instructions please contact:

SpeedComfort

Antwoordnummer 7200

3734ZW Den Dolder

The Netherlands

Tel: +31 85 666 62 23

Website: <https://www.speedcomfort.com>

SpeedComfort is also very interested in your personal experience with the product. Let us know by email: ervaringen@speedcomfort.com.

2. Description of the Product

2.1. Intended Use and Reasonably Foreseeable Misuse

The SpeedComfort is intended to be used as a ventilator that is intended to be attached to a radiator, which is connected to the central heating system. The SpeedComfort is intended to draw heat from the radiator to help heat the room more effectively.

The product may only be used in accordance with the instructions described in this manual. Any use other than those described in this manual is considered as non-intended use. This will also invalidate the warranty.

2.2. System Overview

This product contains several components that form a system. The SpeedComfort is the main component. The SpeedComfort is connected to a power adapter and a temperature sensor. For a *wide radiator* (plates more than 70mm apart) this is all that is needed, except for some optional cables. The other types of radiators on which the SpeedComfort can be installed, require additional components:

- A *narrow radiator* (plates between 38mm and 70mm apart) requires two brackets (package C)
- A *single plate radiator* (more than 55mm from wall) requires two plates (package D)
- A *convector* requires two feet (package E)

Additional SpeedComforts can be connected to each other making use of the cables (30cm, 60cm or 120cm). These cables can also be used to extend the power adapter or temperature sensor cables.

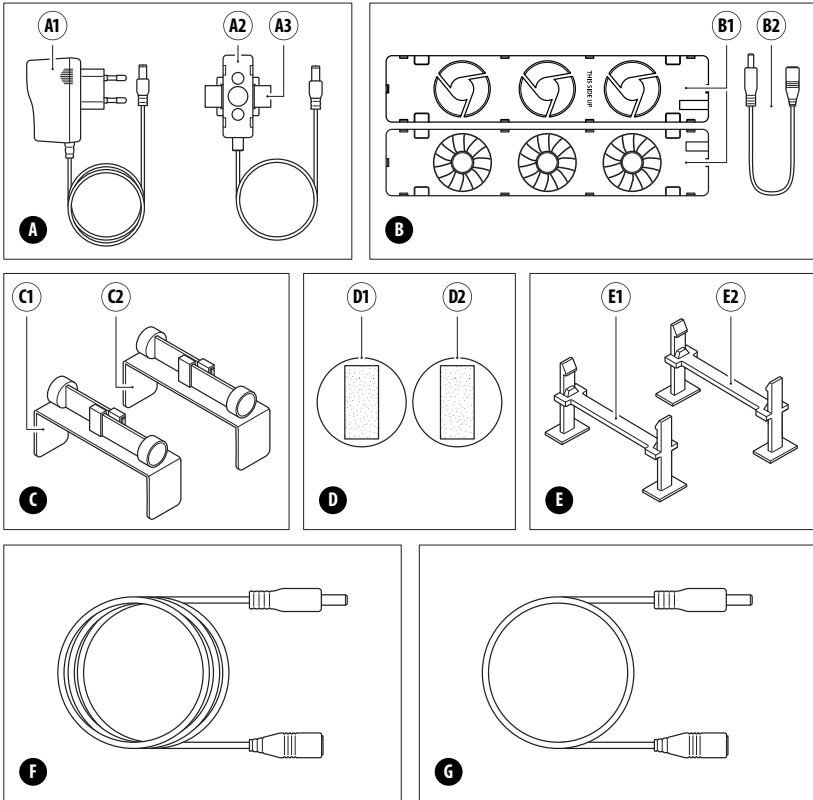
2.3. Technical Data

Parameter	Unit
Product name	SpeedComfort
Technical lifespan: SpeedComfort	10 years
Technical lifespan: Power adapter	2 years
Power	0,55W

Annual energy consumption	< 1kWh
Noise level	< 20dB(A)
Airflow	30m ³
Width	70mm
Output	12V/DC
Power supply	100-240V; 0,25A 230V AC
Operating temperature range	-20°C to +85°C
Storage temperature range	-40°C to +85°C
Relative humidity during use and storage	max. 80% (non-condensing)

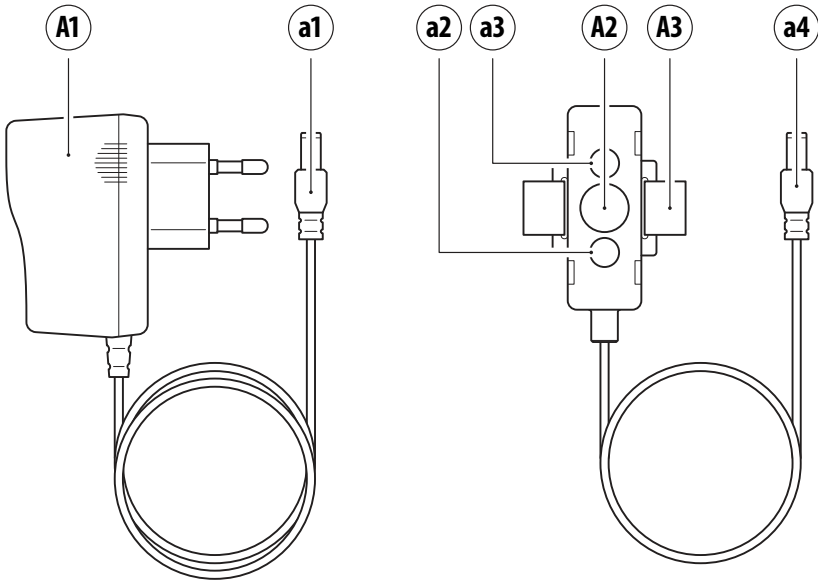
2.4. Components

2.4.1. Main components per packaging



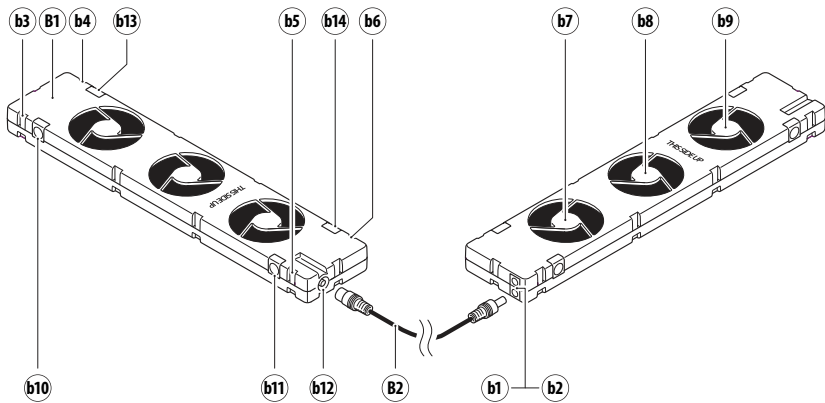
- A. Power adapter (A1) + temperature sensor (A2) (with Velcro (A3))
- B. SpeedComfort (B1) + 30cm cable (B2)
- C. 2 brackets (C1 and C2)
- D. 2 metal plates (D1 and D2)
- E. 2 feet (E1 and E2)
- F. 60cm cable
- G. 120cm cable

2.4.2. Package A: Power adapter and temperature sensor



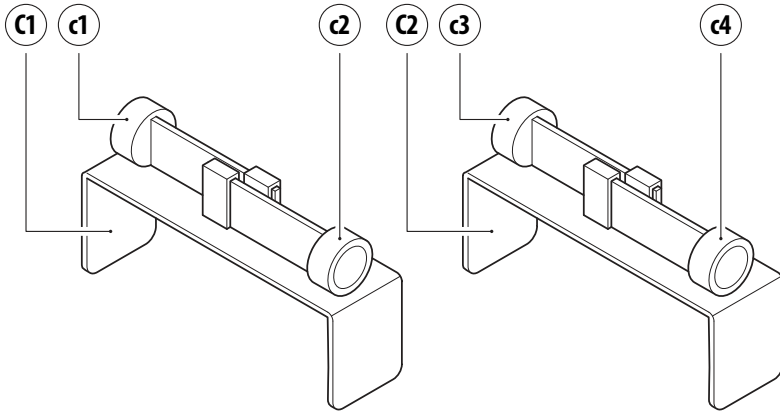
- a1. Power adapter cable
- A1. Power adapter
- A2. Temperature sensor
- a2. Magnet
- a3. Magnet
- A3. Velcro
- a4. Temperature sensor cable

2.4.3. Package B: SpeedComfort and cable



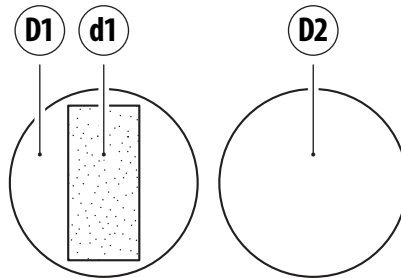
- B1. SpeedComfort
- b1. Female connector
- b2. Female connector
- b3. Slot to attach bracket or foot
- b4. Slot to attach bracket or foot
- b5. Slot to attach bracket or foot
- b6. Slot to attach bracket or foot
- b7. Fan
- b8. Fan
- b9. Fan
- b10. Magnet
- b11. Magnet
- b12. Male connector
- b13. Adjustable magnet
- b14. Adjustable magnet
- B2. 30cm cable

2.4.4. Package C: Brackets



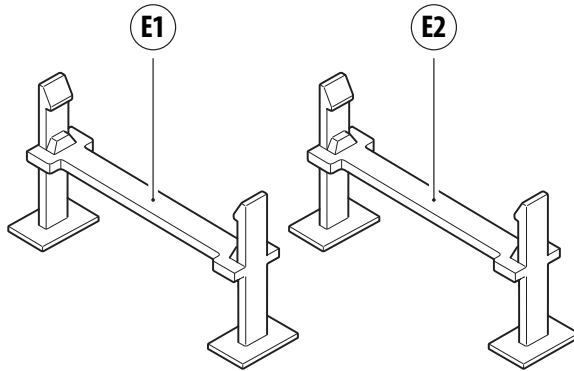
- C1. Bracket
- c1. Adjustable magnet
- C2. Bracket
- c2. Adjustable magnet
- c3. Adjustable magnet
- c4. Adjustable magnet

2.4.5. Package D: Metal plates



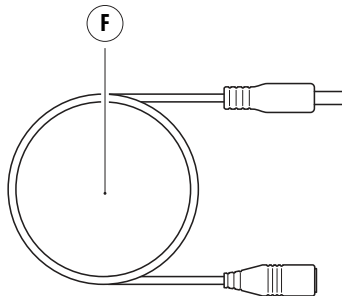
- D1. Metal plate
- d1. Adhesive
- D2. Metal plate

2.4.6. Package E: Feet

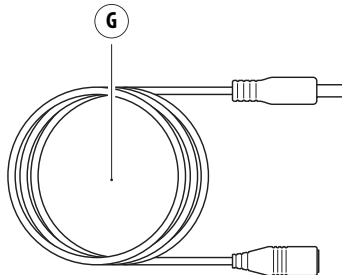


- E1. Foot
- E2. Foot

2.4.7. Package F: 60cm cable



2.4.8. Package G: 120cm cable



3. Safety Instructions

CAUTION

Read and understand this manual and its safety instructions before using the SpeedComfort and matching components.

3.1. How to Use the Product Safely

3.1.1. Safety information for vulnerable people

- Never leave children alone with packaging material. There is a risk of suffocation.
- Children should not play with the product. This product is not a toy.
- Do not install the product if you have reduced physical, sensory or mental capabilities.
- Do not allow installation of the product by persons (including children) with reduced physical, sensory or mental capabilities.

3.1.2. Safety information related to the intended use

- Use this product only as a radiator ventilator by attaching it to a radiator. Follow the instructions in this manual to do so.

3.1.3. Product limitations and restrictions

- Do not use any sharp objects near the fans.
- Keep the product away from open fire, soldering irons, or other hot tools as this could damage the product.

3.1.4. Installation safety information

- Lift, handle and transport the product with great care.
- Pay attention and be careful when installing an electrical product. Do not install the product if you are not able to concentrate properly, or if you may faint or if you are under the influence of medication, alcohol or drugs.
- Before connecting the power adapter to the wall socket, ensure that the local voltage corresponds to the value on the product. The maximum permissible voltage is 230V.
- Connect the product to a properly installed and easily accessible wall socket. Make sure the product can be disconnected from the power supply at any time.

3.1.5. Safety information regarding the use

- Never use the product outdoors. The product is intended for indoor use only.
- Check all components (including cables) for any damages before installing the product. Immediately remove the power adapter from the wall socket in the event of visible damage, strong odour or overheating of the components.

3.1.6. Maintenance safety information

- Never touch the product or power adapter with wet hands.
- Keep the product away from moisture. Take care when cleaning the product or radiator to which it is attached. Make sure no water enters the product through the fans.

3.1.7. Service and repair safety information

- Do not attempt to open, modify or repair the product. Alterations or modifications of this product are not permitted. This will void the warranty.

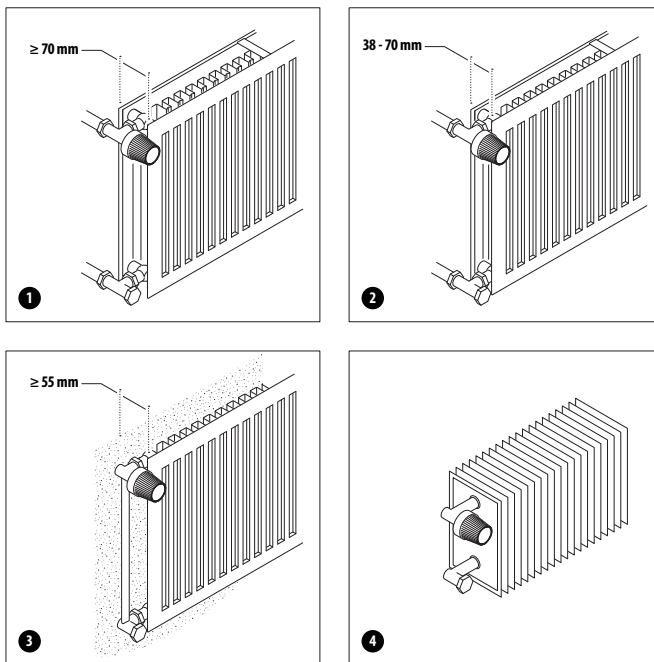
4. Installation

4.1. Selecting the Components

The SpeedComfort can be installed on different types of radiators. Each type of radiator requires its own way of installation. Depending on the type of radiators in your home, you need to make sure to have the correct components.

To select the components:

1. Determine the radiator types on which you want to install the **SpeedComfort**.



- 1 Wide radiators are radiators where the distance between the plates is 70mm or more.
- 2 Narrow radiators are radiators where the distance between the plates is between 38mm and 70mm.
- 3 Single plate radiators are radiators with only one plate. The distance between the wall and the plate should be at least 55mm.

- 4 Convectors are radiators where the hot water is circulated through a tube, surrounded by small fins. It is normally installed inside a convector housing or a ventilation duct.
2. Select the components required for your radiator types as indicated in table 1.
- NOTICE** For an average living room, you need 3 to 5 SpeedComforts (package B) with matching components. Use components F & G (60cm and 120cm cables) where longer cables are required.

Radiator type	Components
Wide (plates ≥ 70 mm apart)	A & B
Narrow (plates ≥ 38 mm and < 70 mm apart)	A, B & C
Single plate (plate ≥ 55 mm from wall)	A, B, C & D
Convector	A, B & E

Table 1 - Components per radiator type

4.2. Connect the SpeedComfort to the Radiator

The SpeedComfort can be installed on different types of radiators. Each type of radiator requires its own way of installation. Thus, after the specific components for a radiator type have been selected, follow the specific installation steps for that type of radiator.

4.2.1. Connect the SpeedComfort to a wide radiator (plates ≥ 70 mm apart)

1. Make sure that the **SpeedComfort** (B1) faces upwards and that the **female connectors** (b1, b2) point towards the wall socket (see fig. 1).

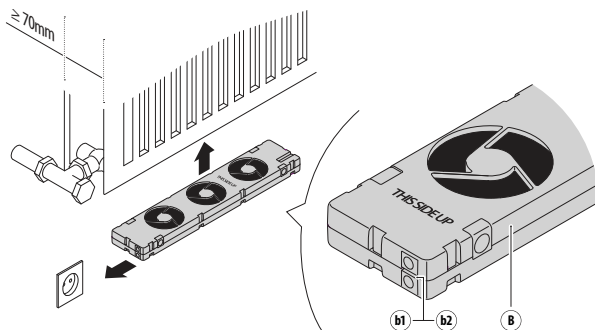


Fig. 1 - Position the SpeedComfort (B1).

2. Identify a space where the radiator wall brackets and connecting clips are not in the way. Attach the **SpeedComfort** (B1) at the bottom between the radiator plates with the **adjustable magnets** (b13, b14) (see fig. 2). The **SpeedComfort** (B1) can also be attached on top of the radiator and under a cover. **NOTICE** Make sure the **fans** (b7, b8, b9) still face upwards!

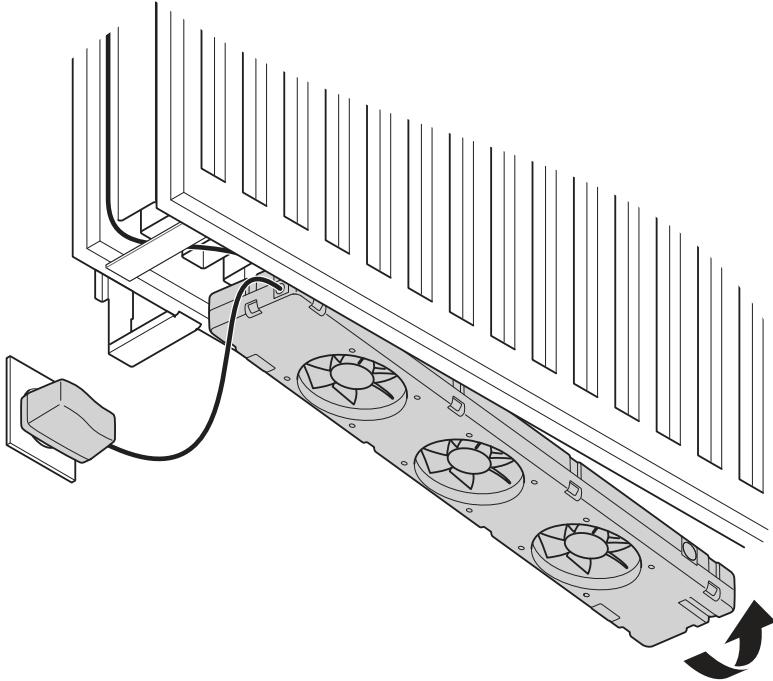


Fig. 2 - Attach the SpeedComfort (B1).

3. Connect the **temperature sensor cable** (a4) to one of the **SpeedComfort** (B1) **female connectors** (b1 or b2).
4. Attach the **temperature sensor** (A2) with its magnets (a2, a3) on the back of the radiator, close to the warm water supply pipe, or on the pipe itself (see fig. 3).

5. Connect the **power adapter** (A1) to the remaining **female connector** (b1 or b2) and the wall socket (see fig. 3).

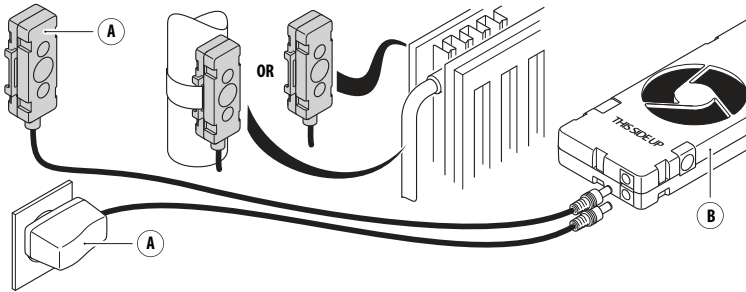


Fig. 3 - Connect the power adapter (A1) and temperature sensor (A2).

6. On long radiators, connect additional **SpeedComforts** (B1) with the **30cm connection cables** (B2) (see fig. 4). Multiple **SpeedComforts** (B1) (up to 20) can be connected to one **power adapter** (A1). Additional **temperature sensors** (A2) are not required.

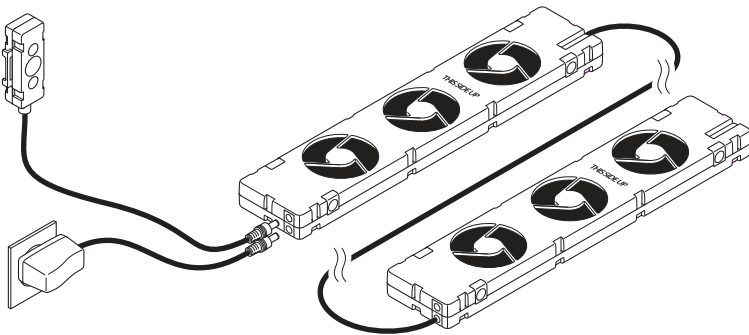


Fig. 4 - Connect additional SpeedComforts (B1).

7. Turn on your central heating system. Wait for the **SpeedComfort** (B1) to automatically switch on. This happens when the radiator temperature exceeds 33°C. It automatically switches off when the radiator cools down to 25°C.

4.2.2. Connect the SpeedComfort to a narrow radiator (plates $\geq 38\text{mm}$ and $< 70\text{mm}$ apart)

1. Connect the two **brackets** (C1, C2) on top of the **SpeedComfort** (B1) (see fig. 5).
2. Repeat steps 1-7 as for the *wide radiator*. Use the **adjustable magnets** (c1, c2, c3, c4) on the **brackets** (C1, C2) to hang the **SpeedComfort** (B1) between the plates (see fig. 5 and 6). Align the **SpeedComfort** (B1) with the front of the radiator to optimize the ventilation.

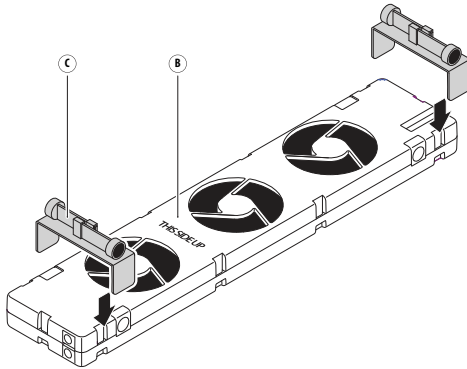


Fig. 5 - Attach the bracket to the **SpeedComfort** (B1).

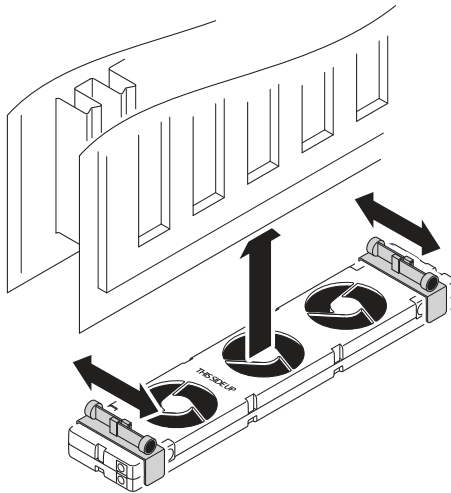


Fig. 6 - Hang the **SpeedComfort** (B1) between radiator plates.

4.2.3. Connect the SpeedComfort to a single plate radiator (plate $\geq 55\text{mm}$ from wall)

1. Connect the two **brackets** (C1, C2) on top of the **SpeedComfort** (B1) (see fig. 5).
2. Repeat steps 1-7 as for the wide radiator. At the space identified, stick the two **metal plates** (D1, D2) on the wall. Use the **adjustable magnets** (c1, c2, c3, c4) on the **brackets** (C1, C2) to connect the **SpeedComfort** (B1) to the wall and the single plate radiator (see fig. 7).

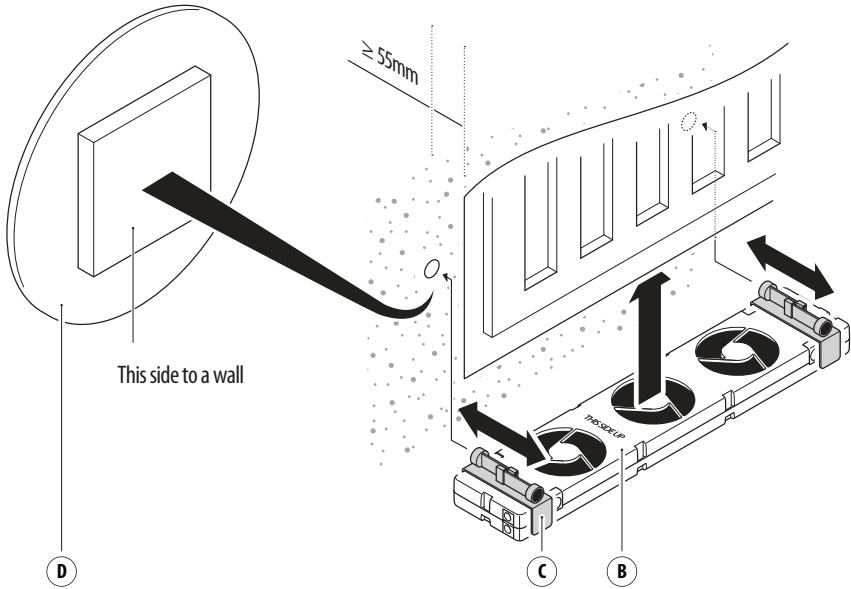


Fig. 7 - Attach the SpeedComfort (B1) to the wall and single plate radiator.

4.2.4. Connect the SpeedComfort to a convector

1. Attach the **feet** (E1, E2) to the **SpeedComfort** (B1) by clicking them into the **slots** (b3, b4) (see fig. 8).
2. Make sure that the **SpeedComfort** (B1) faces upwards and that the **female connectors** (b1, b2) point towards the wall socket (see fig. 9).
3. Place the **SpeedComfort** (B1) on top of the convector and allow space between the convector sides and the **SpeedComfort** (B1) to reduce noise (see fig. 9). The SpeedComfort can also be placed on the ground below the convector if space allows.
4. Repeat step 3-7 as for the wide radiator. Use the **Velcro** (A3) to attach the **temperature sensor** (A2) to non-magnetic material. Make sure the **SpeedComfort** (B1) does not touch any metal pieces to prevent contact noise.

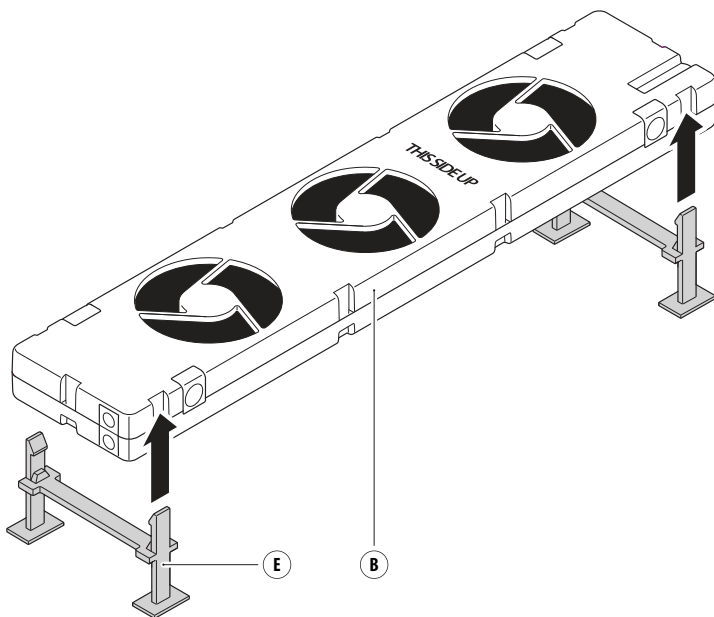


Fig. 8 - Attach a foot (E1 or E2).

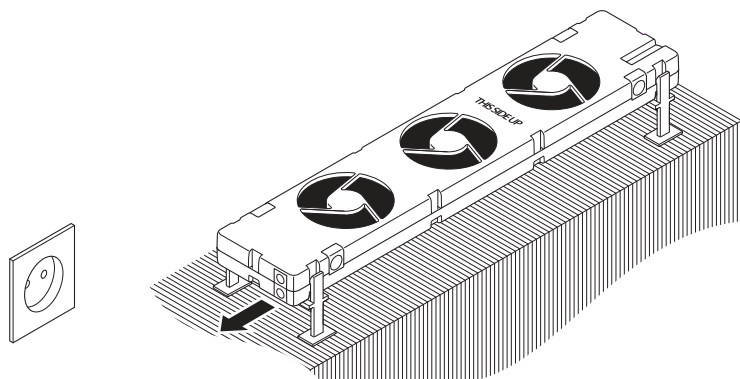


Fig. 9 - Position the **SpeedComfort** (B1) on the convector.

4.3. Optimize the Central Heating

The SpeedComfort draws heat from the radiator, heating the room quicker and more evenly. This can reduce the energy usage in your house by up to 30%. However, to realize this saving, a few things need to be optimized: The SpeedComforts must be distributed throughout the house; the central heating temperature setpoint must be lowered; and the central heating system must be hydronically balanced.

4.3.1. Distribute the SpeedComforts

1. Install 3 to 5 **SpeedComforts** (B1) (with matching components) in an (average) living room.
2. Install **SpeedComforts** (B1) in all regularly used rooms.

This ensures that all the air in the room circulates once per hour, since one SpeedComfort circulates 30m³/h.

4.3.2. Lower the temperature setpoint

1. Manually lower the central heating setpoint temperature to at least 60°C. Refer to the manual of your central heating system or ask your service technician to do this. If preferred, this can be done in small steps to find the optimal setpoint. A lower setpoint saves more energy.
2. Make sure your central heating service technician does not change this back to factory settings (75 – 90°C).

The **SpeedComfort** draws heat from the radiator, heating the room more quickly. This allows the boiler to shut down sooner, saving energy.

4.3.3. Do hydronic balancing

Balance the central heating system by making use of either the radiator screw, standard thermostat setting or a separate radiator valve. **CAUTION!** Ask the central heating service technician to help with the central heating system hydronic balancing. This is not a standard procedure and requires expertise.

Hydronic balancing optimizes the distribution of water in a heating system. This is necessary for efficient use of energy and to ensure that room temperatures do not vary.

To learn more about saving energy and reducing losses visit www.speedcomfort.com.

5. Maintenance

5.1. How to Maintain the SpeedComfort

5.1.1. Cleaning the product

The SpeedComfort and matching components can be cleaned if necessary.

To clean the product:

1. Clean the product with a vacuum cleaner, when dirty. **CAUTION!** Make sure to use the lowest power setting on the vacuum cleaner.
2. Clean the product with a damp cloth only if required. **CAUTION!** Make sure no water enters the SpeedComfort through the fans.

5.1.2. Replacing components

If any components break, they must be replaced. **CAUTION!** Do not attempt to open, modify or repair the product.

To replace components:

1. Exchange broken components, still under warranty, at the supplier. The SpeedComfort has a ten year guarantee and the power adapter has a 2 year warranty. **NOTICE** For safety- and control reasons (CE), alterations or modifications of this product are not permitted.
2. Dispose of broken components that are not under warranty and buy new components.

6. Troubleshooting

Problem	Cause	Solution
SpeedComfort (B1) does not fit between the radiator plates.	It is a narrow radiator.	Buy two brackets (C1, C2) and follow the narrow radiator installation steps.
SpeedComfort (B1) does not fit at the bottom of the radiator.	There is too little space.	Attach the SpeedComfort (B1) on the top of the radiator. This will not influence performance. The bottom is only preferred as it is less visible. Make sure the SpeedComfort (B1) still faces upwards.
The SpeedComfort (B1) need to be attached at the top of the radiator, but the radiator has a cover.	NA	Attach the SpeedComfort (B1) underneath the cover. Keep in mind that this exposes the SpeedComfort (B1) to higher temperatures, which may slightly limit its life
Cannot adjust the magnets (b10, b11, b13, b14) on the SpeedComfort .	Only two of the four magnets (b13, b14) are adjustable.	Use the two adjustable magnets (b13, b14).
Cannot connect the SpeedComfort (B1) to the wall socket.	The SpeedComfort (B1) was placed with the two female connections (b1, b2) on the wrong side or the power adapter cable (a1) is not long enough.	Turn the SpeedComfort (B1) around so that the two female connections (b1, b2) face in the other direction or buy and connect the power adapter cable (a1) to a longer power adapter cable (F or G).
Cannot connect two SpeedComforts (B1) with supplied 30cm power adapter cable (B2).	The distance is too big / cable is too short.	Buy an additional 60cm or 120cm power adapter cable (F or G) to connect the SpeedComforts (B1).
The temperature sensor (A2) cannot reach the warm water supply pipe.	The temperature sensor cable (a4) is too short.	Buy an additional 60cm or 120cm temperature sensor cable (F or G) and connect to the temperature sensor cable (a4). Else, the temperature sensor (A2) may also be attached on the back of the radiator.

<p>Cannot attach the SpeedComfort (B1) to single plate radiator.</p>	<p>The SpeedComfort (B1) needs to be attached between the wall and the radiator, but the magnets (c1, c3) cannot attach to the wall, since it is not magnetic.</p>	<p>Buy two metal plates (D1, D2) and attach them to the wall at the position where the SpeedComfort magnets (c1, c3) need to attach.</p>
<p>Cannot fit the SpeedComfort (B1) between the wall and single plate radiator.</p>	<p>The space is usually too small (less than 70mm).</p>	<p>Buy two brackets (C1, C2) and follow the single plate radiator installation steps. If the space is less than 5.5cm the SpeedComfort (B1) cannot fit between the plates. In this case attach feet (E) to the SpeedComfort (B1) and place on the floor under the radiator.</p>
<p>SpeedComfort (B1) did not switch on after it was connected to the wall socket.</p>	<p>The temperature sensor (A2) is not registering 33°C or more or the SpeedComfort (B1) is not receiving power.</p>	<ul style="list-style-type: none"> • Make sure that the radiator is switched on. • Make sure that temperature sensor (A2) is attached to the warm water supply pipe or close by to this pipe on the radiator where it gets warm. • Make sure that the temperature sensor (A2) makes proper contact. • If the radiator does not heat up properly, vent the central heating system and consider doing hydronic balancing. • Make sure that the wall socket works and that the power adapter (A1) is properly inserted.
<p>Cannot attach the temperature sensor (A2) to the convector.</p>	<p>Convectors, which are made from copper or aluminum, are not magnetic.</p>	<p>Use the supplied Velcro (A3) to attach the temperature sensor (A2).</p>
<p>The SpeedComfort (B1) does not seem to increase the radiator heat output.</p>	<p>The SpeedComfort (B1) may be facing downwards. This causes the air to flow in the wrong direction; against rather than with the flow.</p>	<p>Turn the SpeedComfort (B1) over so that the SpeedComfort (B1) is facing upwards. The top is the side where the fans (b7, b8, b9) are covered with three white protective strips.</p>

<p>Do not save 30% on the energy bill.</p>	<p>The central heating system is not optimized enough or the central heating system has been functioning optimally before installation of the SpeedComforts (B1).</p>	<p>Optimize the central heating system (see section 4.3) by distributing the SpeedComforts (B1), adjusting the temperature setpoint and ensuring hydronic balancing. If the central heating system has been functioning optimally before the installation of the SpeedComforts (B1), it may not be possible to save 30%.</p>
<p>Old cast iron radiator or Single plate radiator with plat < 55mm from wall.</p>	<p>Not one of the 4 types of radiators mentioned.</p>	<p>Attach the feet (E) to the SpeedComfort (B1) and place on the floor under the radiator.</p>
<p>The SpeedComfort (B1) makes too much noise when placed on the convector.</p>	<p>This may be contact noise.</p>	<p>Make sure the SpeedComfort (B1) does not touch any metal pieces. For this reason the feet (E) should also be attached.</p>
<p>The SpeedComfort (B1) does not switch off when the radiator is off / cold.</p>	<p>The temperature sensor (A2) is not switching it off.</p>	<p>Make sure the SpeedComfort (B1) is properly connected to a temperature sensor (A2).</p>

You can find answers to frequently asked questions (FAQs) at www.speedcomfort.com.

7. Disposal

7.1. Disposal of the Product



The symbol on the product indicates that this product must not be treated as unsorted municipal waste, but must be collected separately! Dispose of the product via a collection point for the recycling of waste electrical and electronic equipment if you live within the EU and in other European countries that operate

separate collection systems for waste electrical and electronic equipment. By disposing of the product in the proper manner, you help to avoid possible hazards for the environment and public health that could otherwise be caused by improper treatment of waste equipment. The recycling of materials contributes to the conservation of natural resources. Therefore do not dispose of your old electrical and electronic equipment with the unsorted municipal waste.

7.2. Disposal of Packaging Waste

Dispose of the packaging through your local recycling facilities. By disposing of the packaging and packaging waste in the proper manner, you help to avoid possible hazards for the environment and public health.

8. Glossary

Term	Meaning
Adjustable magnets	These are the magnets (b13, b14, c1, c2, c3, c4) on both the SpeedComfort (B1) as well as the brackets (C1, C2) that <i>can be moved slightly</i> to achieve the desired fit. This is needed, since the distance between all radiator plates vary.
Bracket	This is the <i>support</i> that is used to connect the adjustable magnets (c1, c2, c3, c4) to the SpeedComfort (B1). These adjustable magnets (c1, c2, c3, c4) are needed to attach the SpeedComfort (B1) to a narrow radiator, since the magnets (b10, b11, b13, b14) on the SpeedComfort (B1) cannot fit between these radiator plates.
Central heating system	A central heating system provides warmth to the whole interior of a building (or portion of a building) <i>from one point</i> to multiple rooms.
Convector	A convector is a radiator where the hot water is circulated through a tube, surrounded by <i>small fins</i> . It is normally installed <i>inside a convector housing or a ventilation duct</i> . The SpeedComfort (B1) is placed on top of a convector making use of two feet (E).
Fan	A fan consists of <i>rotating blades</i> which cause air to flow. The SpeedComfort (B1) has 3 fans.
Feet / Foot	The feet (E) are connected on the bottom of the SpeedComfort (B1). They <i>create space</i> between the convector and the SpeedComfort (B1).
Hydronic balancing	This is the <i>balancing of the central heating system</i> by making use of either the radiator screw, standard thermostat setting or a separate radiator valve.
Metal plate	This is a small round metal plate (D) which must be <i>attached to the wall</i> when the SpeedComfort (B1) is installed on a single plate radiator. The adjustable magnets (c1, c3) can attach to this.
Narrow radiator	This is a radiator with a <i>distance of less than 70mm</i> between its plates.
Optimal	best or most favourable
Optimize	make the best or most effective use of
Power adapter	The power adapter (A1) <i>connects</i> the SpeedComfort (B1) to the <i>power supply</i> .

Protective strips	<i>On the top of the SpeedComfort (B1) each of the fans has three protective white strips. These should be on top of when the SpeedComfort (B1) is installed.</i>
Single plate radiator	This is a radiator with only <i>one plate</i> . The SpeedComfort (B1) must be attached between the wall and the single plate.
Slot	This is the place on the bottom of the SpeedComfort (B1) where the feet (E) can be attached.
Temperature sensor	This includes the sensor, the temperature sensitive switch, the housing and two magnets. It is attached to the warm water supply pipe of the radiator and automatically <i>switched the SpeedComfort (B1) on when it registers 33°C.</i>
Temperature setpoint	This refers to the central heating system's temperature setpoint. This is the <i>temperature at which the boiler is controlled.</i>
Wall socket	This enables the power adapter (A1) to <i>connect to the power supply.</i>
Warm water supply pipe	This is the pipe that supplies warm water to the radiator. The temperature sensor (A2) should ideally be connected on the back of the radiator, close to this pipe, or on the pipe itself, since this will always be warm when the radiator is working.
Wide radiator	This is a radiator where the <i>distance between the plates is 70mm or more.</i>

Descargo de responsabilidad

SpeedComfort no hace ninguna representación o garantía con respecto a este manual y, en la medida máxima permitida por la ley, limita expresamente su responsabilidad por el incumplimiento de cualquier garantía que pueda estar implícita a la sustitución de este manual por otro. Además, SpeedComfort se reserva el derecho de revisar esta publicación en cualquier momento sin incurrir en la obligación de informar a nadie de la revisión.

La información proporcionada en este manual contiene descripciones generales y características técnicas del rendimiento de los productos aquí contenidos. Este manual no pretende sustituir ni debe utilizarse para determinar la idoneidad o fiabilidad de estos productos para aplicaciones específicas del usuario. Es deber de dicho usuario o integrador llevar a cabo el análisis de riesgos, la evaluación y el ensayo adecuados y completos de los productos con respecto a la aplicación específica pertinente o al uso de los mismos. Ni SpeedComfort ni ninguno de sus afiliados o subsidiarios serán responsables por el mal uso de la información aquí contenida. Si usted tiene alguna sugerencia para mejoras o enmiendas o ha encontrado errores en esta publicación, por favor notifíquenoslo.

Deben respetarse todas las normas de seguridad estatales, regionales y locales pertinentes al instalar y utilizar este producto. Por razones de seguridad y para ayudar a garantizar el cumplimiento de los datos documentados del sistema, solo el fabricante debe realizar reparaciones en los componentes.

El incumplimiento de esta información puede causar lesiones o daños al equipo.

Copyright © 2018 por SpeedComfort

Todos los derechos reservados. Ninguna parte de esta publicación puede ser reproducida, distribuida o transmitida en ninguna forma ni por ningún medio, incluyendo fotocopias, grabaciones u otros métodos electrónicos o mecánicos, sin el permiso previo por escrito del editor. Para solicitudes de permiso, escriba al editor, dirigido a «Atención: Coordinador de Permisos», en la dirección abajo.

SpeedComfort

Antwoordnummer 7200

3734ZW Den Dolder

Países Bajos

Tel.: +31 85 666 62 23

Correo electrónico: info@speedcomfort.com

Página web: <https://www.speedcomfort.com>

Tabla de contenidos

1.	Prefacio	32
1.1.	Descripción del usuario	32
1.2.	Convenciones utilizadas en este manual	32
1.3.	Explicación de las advertencias de seguridad	32
1.4.	Conservación de las instrucciones	32
1.5.	Obtención de documentación e información	33
2.	Descripción del producto	34
2.1.	Uso previsto y uso indebido razonablemente previsible	34
2.2.	Descripción general del sistema	34
2.3.	Especificaciones técnicas	34
2.4.	Componentes	36
3.	Instrucciones de seguridad	41
3.1.	Cómo usar el producto con seguridad	41
4.	Instalación	43
4.1.	Selección de los componentes	43
4.2.	Conectar el SpeedComfort al radiador	44
4.3.	Optimizar la calefacción central	50
5.	Mantenimiento	51
5.1.	Cómo realizar el mantenimiento del SpeedComfort	51
6.	Solución de problemas	52
7.	Eliminación	55
7.1.	Eliminación del producto	55
7.2.	Eliminación de los residuos de embalaje	55
8.	Glosario	56

1. Prefacio

1.1. Descripción del usuario

Este manual de instalación está destinado al usuario final, al propietario de la vivienda en general, que desea instalar uno o más SpeedComforts en los radiadores de su casa. El usuario no necesita ser experto, haber sido instruido o certificado para instalar el SpeedComfort.

1.2. Convenciones utilizadas en este manual

En este documento se utilizan las siguientes convenciones de estilo:

Negrita

Nombre de productos y elementos

Cursiva

Énfasis (por ejemplo, un término nuevo)

1.3. Explicación de las advertencias de seguridad

ATENCIÓN

Atención indica un peligro con un bajo nivel de riesgo que, si no se evita, podría provocar lesiones leves o moderadas.

AVISO

Aviso indica una información considerada importante, pero que no presenta peligro.

1.4. Conservación de las instrucciones

Lea y comprenda este manual y sus instrucciones de seguridad antes de usar este producto.

Siga todas las instrucciones. Así se evitarán incendios, explosiones, descargas eléctricas y otros peligros que pueden provocar daños en la propiedad y/o lesiones.

El producto solo debe ser utilizado por personas que hayan leído y comprendido completamente el contenido de este manual de usuario.

Asegúrese de que todas las personas que utilicen el producto hayan leído estas advertencias e instrucciones y las sigan.

Guarde toda la información de seguridad y las instrucciones para futuras referencias y entréguelas a los usuarios posteriores del producto.

El fabricante no se hace responsable de los daños materiales o las lesiones personales que se deriven de una manipulación incorrecta o del incumplimiento de las instrucciones de seguridad. En tales casos, quedará anulada la garantía.

1.5. Obtención de documentación e información

1.5.1. Internet

La última versión de la documentación está disponible en la siguiente dirección:

<https://www.speedcomfort.nl/home/speedcomfort-manual/>

1.5.2. Solicitud de documentación

Puede solicitar documentación, instrucciones de uso e información técnica llamando a SpeedComfort al +31 85 666 62 23.

1.5.3. Comentarios sobre la documentación

Si está leyendo la documentación del producto **SpeedComfort** en Internet, puede enviarnos sus comentarios a través de la página web de asistencia. También se pueden enviar comentarios a info@speedcomfort.com.

Apreciamos sus comentarios.

1.5.4. Asistencia y servicio

Para información, preguntas, asistencia técnica, servicio o pedido de instrucciones para el usuario, póngase en contacto con nosotros:

SpeedComfort

Antwoordnummer 7200

3734ZW Den Dolder

Países Bajos

Tel.: +31 85 666 62 23

Página web: <https://www.speedcomfort.com>

SpeedComfort también está muy interesado en su experiencia personal con el producto.

Envíenos sus comentarios por email: ervaringen@speedcomfort.com.

2. Descripción del producto

2.1. Uso previsto y uso indebido razonablemente previsible

El SpeedComfort está destinado a ser utilizado como un ventilador que debe fijarse a un radiador conectado al sistema de calefacción central. El SpeedComfort está diseñado para extraer el calor del radiador y ayudar a calentar la habitación de forma más eficaz.

El producto solo debe utilizarse de acuerdo con las instrucciones que se detallan en este manual. Cualquier otro uso distinto al descrito en este manual será considerado indebido. Esto también invalidará la garantía.

2.2. Descripción general del sistema

Este producto contiene varios componentes que forman un sistema. El SpeedComfort es el componente principal. El SpeedComfort está conectado a un adaptador de corriente y a un sensor de temperatura. Para un *radiador ancho* (placas separadas más de 70 mm) esto es todo lo que se necesita, excepto algunos cables opcionales. Los otros tipos de radiadores en los que se puede instalar el SpeedComfort requieren componentes adicionales:

- Un *radiador estrecho* (placas entre 38 mm y 70 mm de separación) requiere dos soportes (paquete C)
- Un *radiador de placa única* (a más de 55 mm de la pared) requiere dos placas (paquete D)
- Un *convector* requiere dos pies (paquete E)

SpeedComforts adicionales se pueden conectar entre sí haciendo uso de los cables (30 cm, 60 cm o 120 cm). Estos cables también se pueden utilizar para extender el adaptador de alimentación o los cables del sensor de temperatura.

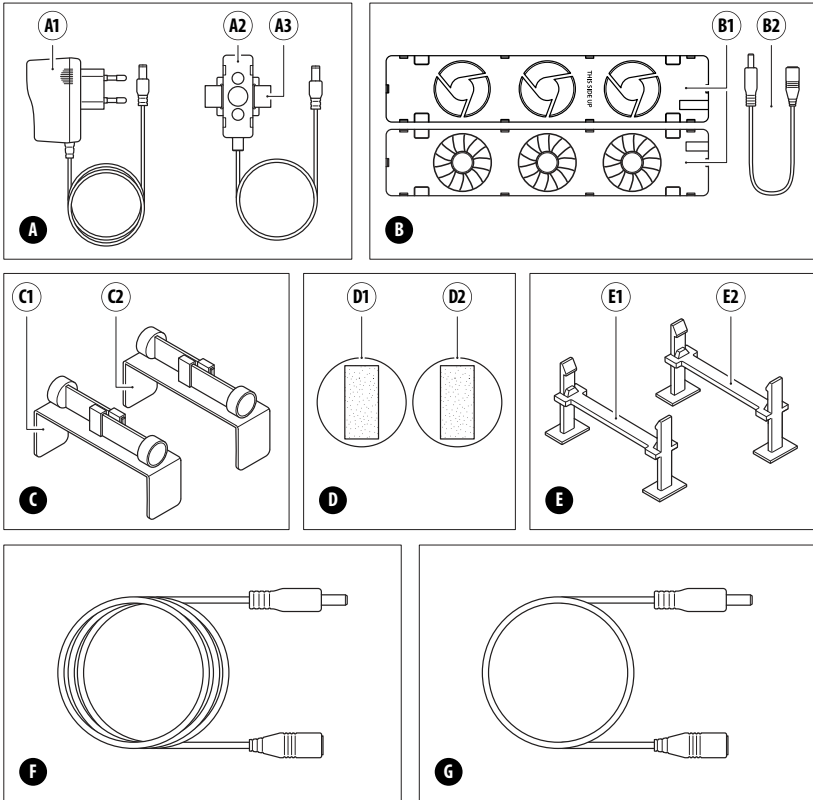
2.3. Especificaciones técnicas

Parámetro	Unidad
Nombre del producto	SpeedComfort
Vida útil técnica: SpeedComfort	10 años
Vida útil técnica: adaptador de alimentación	2 años
Alimentación	0,55 W

Consumo de energía anual	< 1 kWh
Nivel de ruido	< 20 dB(A)
Flujo de aire	30 m ³
Anchura	70 mm
Potencia	12 V/DC
Alimentación	100-240 V; 0,25 A 230 V AC
Rango de temperatura de funcionamiento	de -20 °C a +85 °C
Rango de temperatura de almacenamiento	de -40 °C a +85 °C
Humedad relativa durante el uso y almacenamiento	máx. 80% (no condensante)

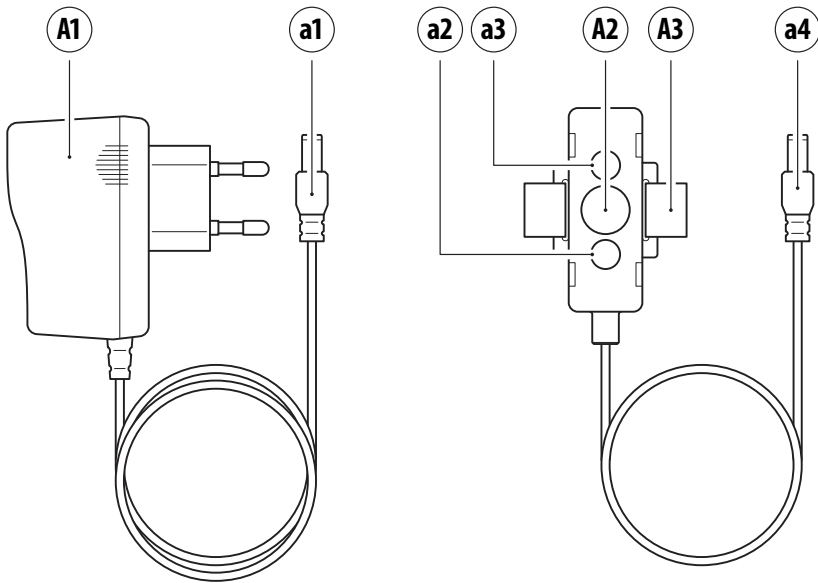
2.4. Componentes

2.4.1. Componentes principales por embalaje



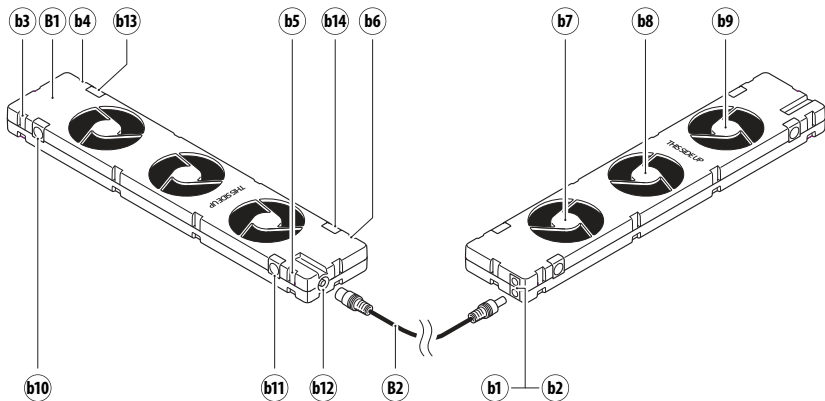
- A. Adaptador de alimentación (A1) + sensor de temperatura (A2) (con velcro [A3])
- B. SpeedComfort (B1) + cable de 30 cm (B2)
- C. 2 soportes (C1 y C2)
- D. 2 placas de metal (D1 y D2)
- E. 2 pies (E1 y E2)
- F. Cable de 60 cm
- G. Cable de 120 cm

2.4.2. Paquete A: Adaptador de alimentación y sensor de temperatura



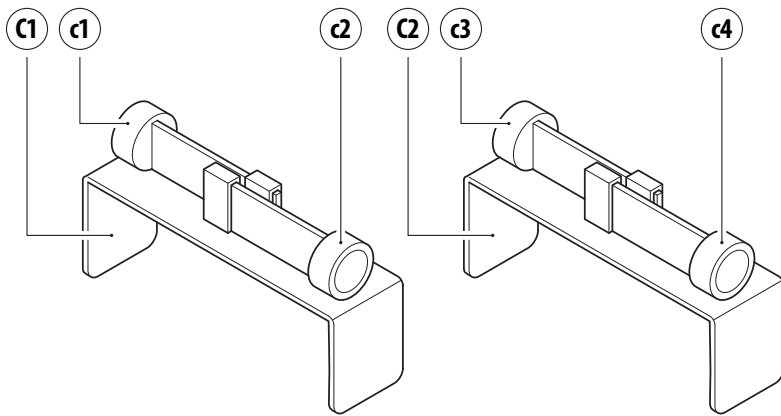
- a1. Cable del adaptador de alimentación
- A1. Adaptador de alimentación
- A2. Sensor de temperatura
- a2. Imán
- a3. Imán
- A3. Velcro
- a4. Cable del sensor de temperatura

2.4.3. Paquete B: SpeedComfort y cable



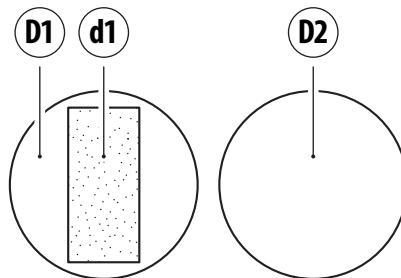
- B1. SpeedComfort
- b1. Conector hembra
- b2. Conector hembra
- b3. Ranura para fijar el soporte o el pie
- b4. Ranura para fijar el soporte o el pie
- b5. Ranura para fijar el soporte o el pie
- b6. Ranura para fijar el soporte o el pie
- b7. Ventilador
- b8. Ventilador
- b9. Ventilador
- b10. Imán
- b11. Imán
- b12. Conector macho
- b13. Imán ajustable
- b14. Imán ajustable
- B2. Cable de 30 cm

2.4.4. Paquete C: Soportes



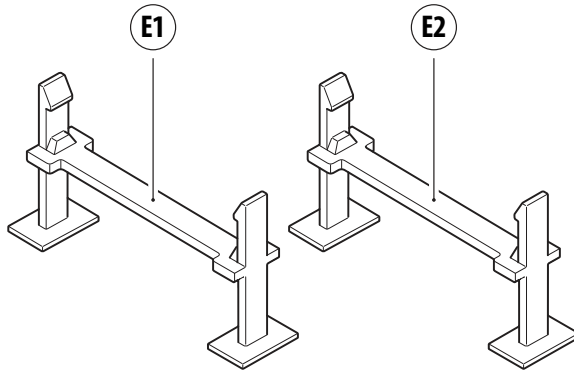
- C1. Soporte
- c1. Imán ajustable
- C2. Soporte
- c2. Imán ajustable
- c3. Imán ajustable
- c4. Imán ajustable

2.4.5. Paquete D: Placas de metal



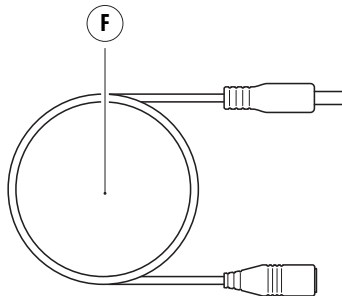
- D1. Placa de metal
- d1. Adhesivo
- D2. Placa de metal

2.4.6. Paquete E: Pies

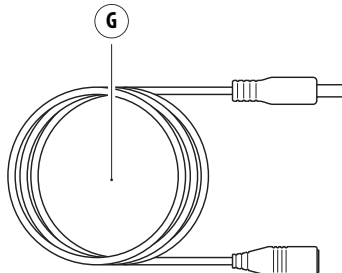


- E1. Pie
- E2. Pie

2.4.7. Paquete F: Cable de 60 cm



2.4.8. Paquete G: Cable de 120 cm



3. Instrucciones de seguridad

ATENCIÓN

Lea y comprenda este manual y sus instrucciones de seguridad antes de utilizar el SpeedComfort y los componentes correspondientes.

3.1. Cómo usar el producto con seguridad

3.1.1. Información de seguridad para personas vulnerables

- Jamás deje a los niños solos con el material de embalaje. Existe riesgo de asfixia.
- Los niños no deben jugar con el producto. Este producto no es un juguete.
- No instale el producto si tiene capacidades físicas, sensoriales o mentales reducidas.
- No permita la instalación del producto a personas (incluidos niños) con capacidades físicas, sensoriales o mentales reducidas.

3.1.2. Indicaciones de seguridad relativas al uso previsto

- Utilice este producto solo como ventilador de radiador fijándolo a un radiador. Para ello, siga las instrucciones de este manual.

3.1.3. Limitaciones y restricciones del producto

- No utilice objetos afilados cerca de los ventiladores.
- Mantenga el producto alejado de fuego abierto, soldadores u otras herramientas calientes, ya que esto podría dañar el producto.

3.1.4. Indicaciones de seguridad para la instalación

- Levante, manipule y transporte el producto con mucho cuidado.
- Preste atención y tenga cuidado al instalar un producto eléctrico. No instale el producto si no puede concentrarse correctamente, si puede desmayarse o si está bajo los efectos de medicamentos, alcohol o drogas.
- Antes de conectar el adaptador de alimentación a la toma de corriente, asegúrese de que la tensión local coincida con el valor del producto. La tensión máxima admisible es de 230 V.
- Conecte el producto a una toma de corriente bien instalada y de fácil acceso. Asegúrese de que el producto pueda ser desconectado de la alimentación en cualquier momento.

3.1.5. Indicaciones de seguridad para el uso

- Nunca utilice el producto al aire libre. Este producto ha sido diseñado para ser utilizado solo en interiores.
- Antes de instalar el producto, compruebe si todos los componentes (incluidos los cables) presentan daños. Retire inmediatamente el adaptador de alimentación de la toma de corriente en caso de daños visibles, olores fuertes o sobrecalentamiento de los componentes.

3.1.6. Indicaciones de seguridad para el mantenimiento

- No toque nunca el producto o el adaptador de alimentación con las manos mojadas.
- Mantenga el producto alejado de la humedad. Tenga cuidado al limpiar el producto o el radiador al que está fijado. Asegúrese de que no entre agua en el producto a través de los ventiladores.

3.1.7. Indicaciones de seguridad para el mantenimiento y la reparación

- No intente abrir, modificar o reparar el producto. Las alteraciones o modificaciones de este producto no están permitidas. Esto anulará la garantía.

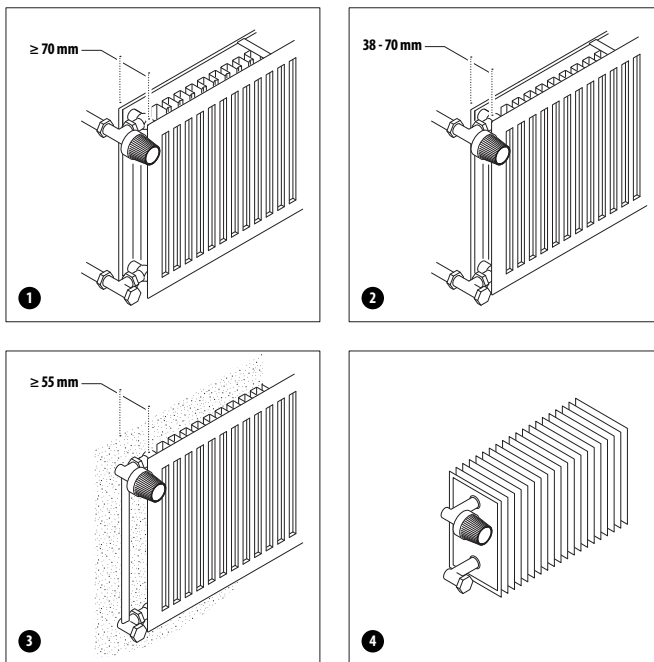
4. Instalación

4.1. Selección de los componentes

El SpeedComfort se puede instalar en diferentes tipos de radiadores. Cada tipo de radiador requiere su propia forma de instalación. Dependiendo del tipo de radiadores en su hogar, usted necesita asegurarse de tener los componentes correctos.

Seleccionar los componentes:

1. Determine los tipos de radiadores en los que desea instalar el **SpeedComfort**.



1. Los radiadores anchos son aquellos en los que la distancia entre las placas es de 70 mm o más.
2. Los radiadores estrechos son aquellos en los que la distancia entre las placas es de entre 38 mm y 70 mm.
3. Los radiadores de placa única son aquellos con una sola placa. La distancia entre la pared y la placa debe ser de al menos 55 mm.

- 4 Los convectores son radiadores donde el agua caliente circula por un tubo rodeado de pequeñas aletas. Normalmente se instala dentro de una caja de convección o de un conducto de ventilación.
2. Seleccione los componentes necesarios para sus tipos de radiadores como se indica en la tabla 1. **AVISO:** Para una sala de estar media, necesita de 3 a 5 SpeedComforts (paquete B) con los componentes adecuados. Utilice los componentes F y G (cables de 60 cm y 120 cm) cuando necesite cables más largos.

Tipo de radiador	Componentes
Ancho (placas a ≥ 70 mm entre sí)	A y B
Estrecho (placas a ≥ 38 mm y < 70 mm entre sí)	A, B y C
Placa única (placa a ≥ 55 mm de la pared)	A, B, C y D
Convector	A, B y E

Tabla 1: Componentes por tipo de radiador

4.2. Conectar el SpeedComfort al radiador

El SpeedComfort se puede instalar en diferentes tipos de radiadores. Cada tipo de radiador requiere su propia forma de instalación. Por lo tanto, después de seleccionar los componentes específicos para un tipo de radiador, siga los pasos de instalación específicos para ese tipo de radiador.

4.2.1. Conectar el SpeedComfort a un radiador ancho (placas a ≥ 70 mm entre sí)

1. Asegúrese de que el **SpeedComfort** (B1) esté orientado hacia arriba y de que los **conectores hembra** (b1, b2) estén orientados hacia la toma de corriente (véase fig. 1).

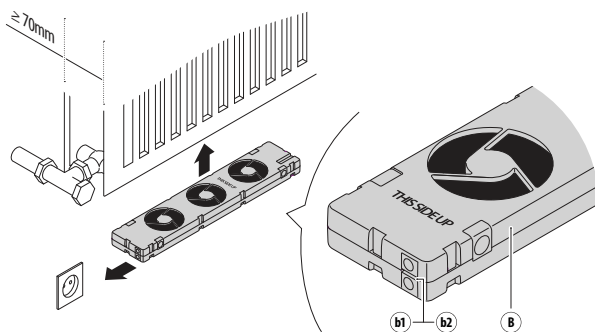


Fig. 1: Posición del SpeedComfort (B1).

- Identifique un espacio donde los soportes de pared del radiador y los clips de conexión no estén en medio. Fije el **SpeedComfort** (B1) en la parte inferior entre las placas del radiador con los **imanes ajustables** (b13, b14), (véase fig. 2). El **SpeedComfort** (B1) también se puede montar en la parte superior del radiador y bajo una cubierta. **AVISO:** ¡Asegúrese de que los **ventiladores** (b7, b8, b9) sigan mirando hacia arriba!

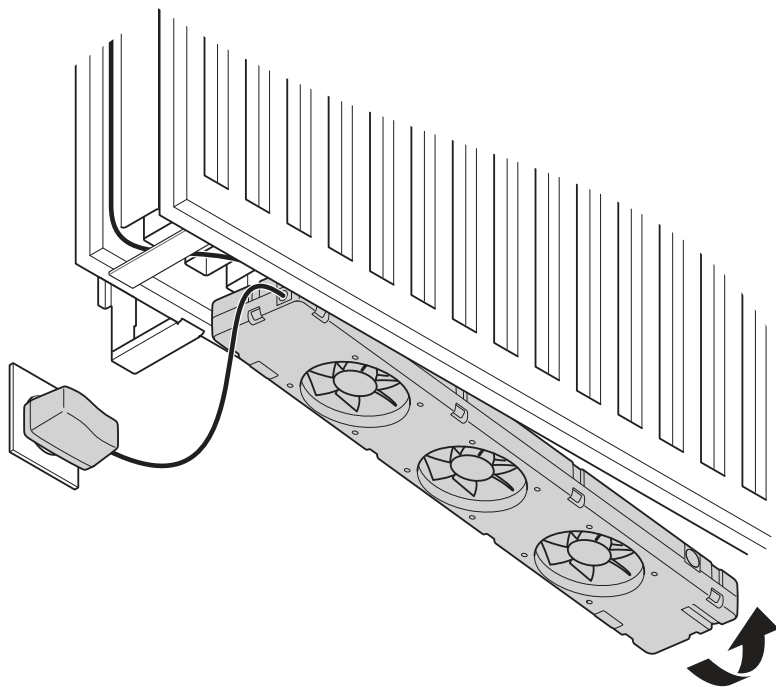


Fig. 2: Fijación del SpeedComfort (B1).

- Conecte el **cable del sensor de temperatura** (a4) a uno de los **conectores hembra** (b1 o b2) del **SpeedComfort** (B1).
- Fije el **sensor de temperatura** (A2) con sus imanes (a2, a3) en la parte posterior del radiador, cerca de la tubería de suministro de agua caliente, o en la propia tubería (véase fig. 3).

5. Conecte el **adaptador de alimentación (A1)** al **conector hembra** restante (b1 o b2) y a la toma de corriente (véase fig. 3).

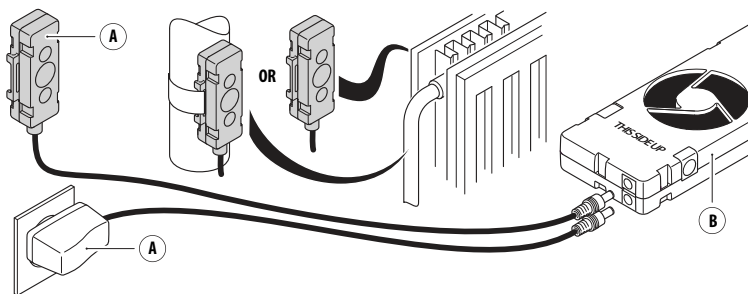


Fig. 3: Conexión del adaptador de alimentación (A1) y del sensor de temperatura (A2).

6. En radiadores largos, conecte **SpeedComforts (B1)** adicionales con los cables de **conexión de 30 cm (B2)** (véase fig. 4). Múltiples **SpeedComforts (B1)** (hasta 20) pueden conectarse a más de un **adaptador de alimentación (A1)**. No son necesarios **sensores de temperatura (A2)** adicionales.

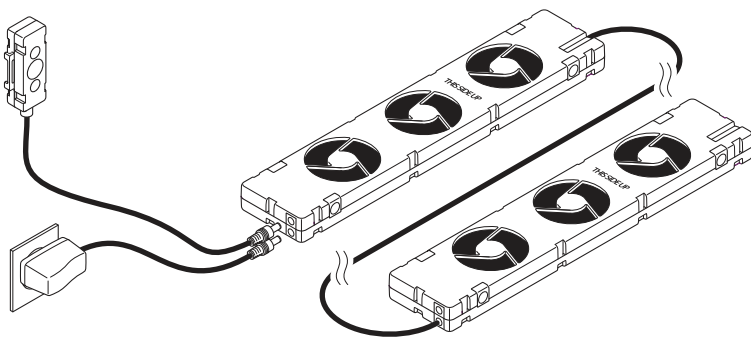


Fig. 4: Conexión adicional de SpeedComforts (B1).

7. Encienda su sistema de calefacción central. Espere a que el **SpeedComfort (B1)** se encienda automáticamente. Esto ocurre cuando la temperatura del radiador supera los 33 °C. Se apaga automáticamente cuando el radiador se enfría hasta 25 °C.

4.2.2. Conectar el SpeedComfort a un radiador estrecho (placas $\geq 38\text{mm}$ y $< 70\text{ mm}$ entre sí)

1. Conecte los dos **soportes** (C1, C2) en la parte superior del **SpeedComfort** (B1), (véase la fig. 5).
2. Repita los pasos 1-7 como para el *radiador ancho*. Use los **imanes ajustables** (c1, c2, c3, c4) en los **soportes** (C1, C2) para colgar el **SpeedComfort** (B1) entre las placas (véanse las fig. 5 y 6). Alinee el **SpeedComfort** (B1) con la parte delantera del radiador para optimizar la ventilación.

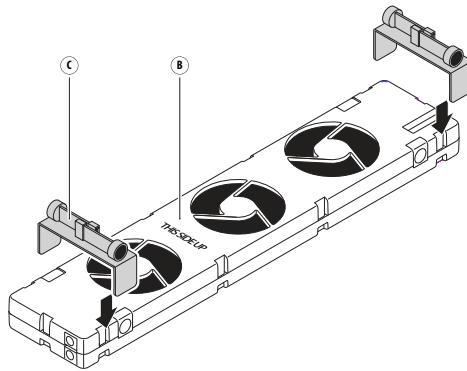


Fig. 5: Fijación del soporte al **SpeedComfort** (B1).

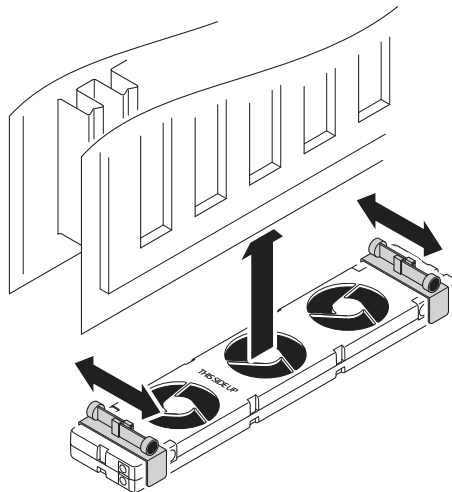


Fig. 6: Enganche del **SpeedComfort** (B1) entre las placas del radiador.

4.2.3. Conectar el SpeedComfort a un radiador de placa única (placa a ≥ 55 mm de la pared)

1. Conecte los dos **soportes** (C1, C2) en la parte superior del **SpeedComfort** (B1), (véase fig. 5).
2. Repita los pasos 1-7 como para el radiador ancho. En el espacio identificado, pegue los dos **placas metálicas** (D1, D2) en la pared. Use los **imanes ajustables** (c1, c2, c3, c4) en los **soportes** (C1, C2) para conectar el **SpeedComfort** (B1) a la pared y al radiador de placa única (véase fig. 7).

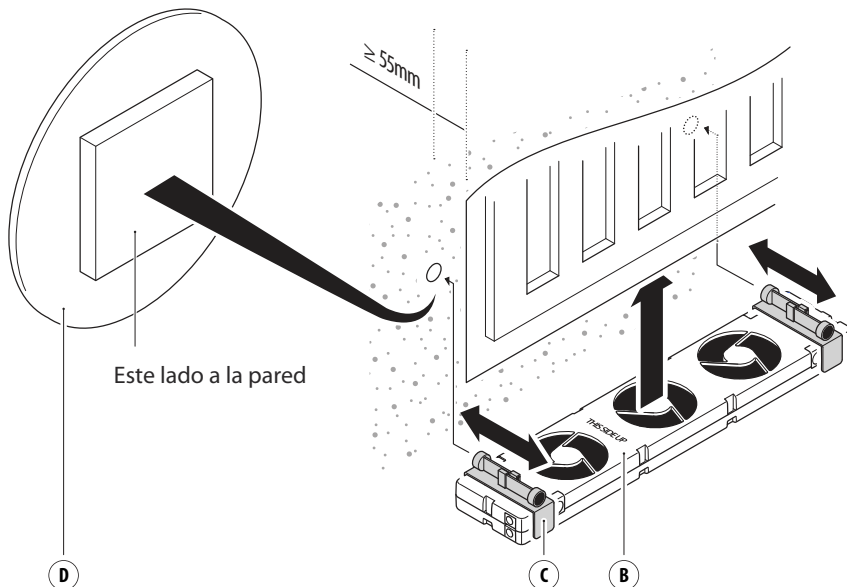


Fig. 7: Fijación del SpeedComfort (B1) a la pared y al radiador de placa única.

4.2.4. Conectar el SpeedComfort a un convector

1. Fije los **pies** (E1, E2) al **SpeedComfort** (B1) encajándolos en las **ranuras** (b3, b4), (véase fig. 8).
2. Asegúrese de que el **SpeedComfort** (B1) esté orientado hacia arriba y de que los **conectores hembra** (b1, b2) estén orientados hacia la toma de corriente (véase fig. 9).
3. Coloque el **SpeedComfort** (B1) en la parte superior del convector y deje espacio entre los lados del convector y el **SpeedComfort** (B1) para reducir el ruido (véase fig. 9). El SpeedComfort también puede colocarse en el suelo bajo el convector si el espacio lo permite.
4. Repita los pasos 3-7 como para el radiador ancho. Use el **velcro** (A3) para fijar el **sensor de temperatura** (A2) a material no magnético. Asegúrese de que el **SpeedComfort** (B1) no toque piezas de metal para evitar el ruido de contacto.

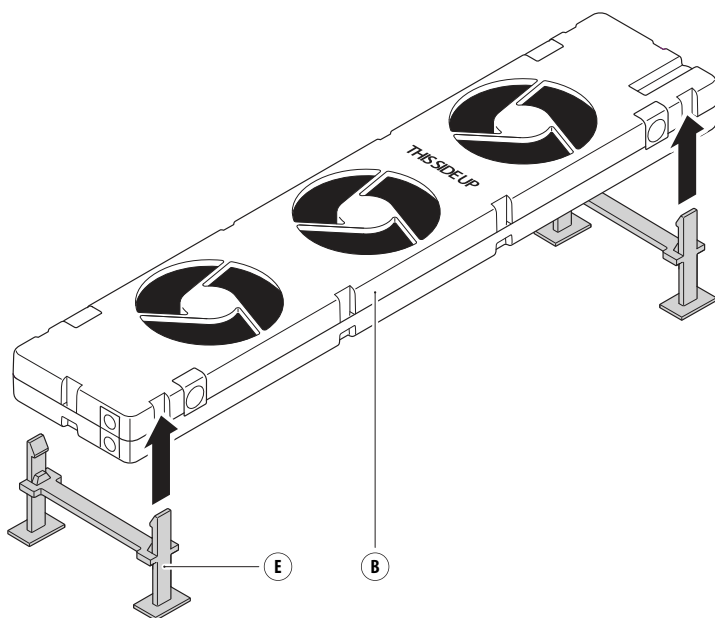


Fig. 8: Conexión de un pie (E1 o E2).

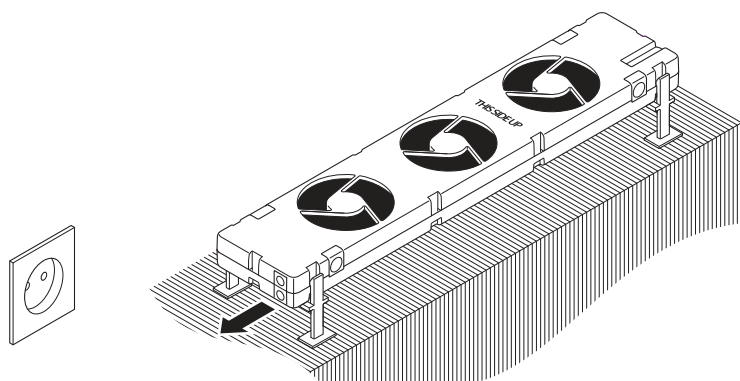


Fig. 9: Posición del **SpeedComfort** (B1) en el convector.

4.3. Optimizar la calefacción central

El SpeedComfort extrae el calor del radiador, calentando la habitación de forma más rápida y uniforme. Esto puede reducir el uso de energía en su casa hasta en un 30%. Sin embargo, para realizar este ahorro, se tienen que optimizar algunas cosas: los SpeedComforts deben distribuirse por toda la casa, el punto de ajuste de la temperatura de la calefacción central debe reducirse y el sistema de calefacción central debe estar equilibrado hidrónicamente.

4.3.1. Distribución de los SpeedComforts

1. Instale de 3 a 5 **SpeedComforts** (B1) (con los componentes adecuados) en una sala de estar (media).
2. Instale los **SpeedComforts** (B1) en todas las habitaciones de uso habitual.

Esto asegura que todo el aire de la habitación circule una vez por hora, ya que un SpeedComfort circula 30 m³/h.

4.3.2. Reducción del punto de ajuste de temperatura

1. Baje manualmente el punto de ajuste de la temperatura de la calefacción central a por lo menos 60 °C. Consulte el manual de su sistema de calefacción central o pídale a su técnico de servicio que lo haga. Si se prefiere, esto se puede hacer en pequeños pasos para encontrar el punto de ajuste óptimo. Un punto de ajuste más bajo ahorra más energía.
2. Asegúrese de que el técnico del servicio de calefacción central no lo cambie a los ajustes de fábrica (75-90 °C).

El **SpeedComfort** extrae el calor del radiador, calentando la habitación de forma más rápida. Esto permite que la caldera se apague antes, ahorrando energía.

4.3.3. Realización del equilibrado hidráulico

Equilibre el sistema de calefacción central utilizando el tornillo del radiador, el ajuste del termostato estándar o una válvula separada del radiador. **¡ATENCIÓN!** Pida ayuda al técnico del servicio de calefacción central para que le ayude a realizar el equilibrado hidráulico del sistema de calefacción central. Este no es un procedimiento estándar y requiere experiencia.

El equilibrado hidráulico optimiza la distribución del agua en un sistema de calefacción. Esto es necesario para un uso eficiente de la energía y para garantizar que la temperatura ambiente no varíe.

Para obtener más información sobre el ahorro de energía y la reducción de pérdidas, visite www.speedcomfort.com.

5. Mantenimiento

5.1. Cómo realizar el mantenimiento del SpeedComfort

5.1.1. Limpieza del producto

El SpeedComfort y los componentes correspondientes se pueden limpiar si es necesario.

Para limpiar el producto:

1. Limpie el producto con una aspiradora cuando esté sucio. **¡ATENCIÓN!** Asegúrese de utilizar el ajuste de potencia más bajo de la aspiradora.
2. Limpie el producto con un paño húmedo solo si es necesario. **¡ATENCIÓN!** Asegúrese de que no entre agua en SpeedComfort a través de los ventiladores.

5.1.2. Sustitución de los componentes

Si algún componente se rompe, debe ser reemplazado. **¡ATENCIÓN!** No intente abrir, modificar o reparar el producto.

Para sustituir los componentes:

1. Cambie los componentes rotos, aún bajo garantía, con el proveedor. SpeedComfort tiene una garantía de diez años y el adaptador de corriente tiene una garantía de 2 años. **AVISO:** Por razones de seguridad y control (CE), no se permiten alteraciones ni modificaciones de este producto.
2. Deseche los componentes rotos que no estén cubiertos por la garantía y compre componentes nuevos.

6. Solución de problemas

Problema	Causa	Solución
SpeedComfort (B1) no encaja entre las placas del radiador.	Es un radiador estrecho.	Compre dos soportes (C1, C2) y siga los pasos de instalación del radiador.
SpeedComfort (B1) no cabe en la parte inferior del radiador.	Hay demasiado poco espacio.	Fije el SpeedComfort (B1) en la parte superior del radiador. Esto no influirá en el rendimiento. Solo se prefiere el fondo debido a que es menos visible. Asegúrese de que el SpeedComfort (B1) siga mirando hacia arriba.
SpeedComfort (B1) debe fijarse en la parte superior del radiador, pero el radiador tiene una cubierta.	NA	Fije el SpeedComfort (B1) debajo de la cubierta. Tenga en cuenta que esto expone al SpeedComfort (B1) a temperaturas más altas, lo que puede limitar ligeramente su vida útil.
No se pueden ajustar los imanes (b10, b11, b13, b14) en el SpeedComfort .	Solo dos de los cuatro imanes (b13, b14) pueden ajustarse.	Use los dos imanes ajustables (b13, b14).
No se puede conectar el SpeedComfort (B1) a la toma de corriente.	SpeedComfort (B1) ha sido colocado con las dos conexiones hembra (b1, b2) en el lado erróneo o el cable del adaptador de alimentación (a1) no es lo bastante largo.	Dé la vuelta al SpeedComfort (B1) de manera que las dos conexiones hembra (b1, b2) miren en la otra dirección o compre y conecte el cable del adaptador de alimentación (a1) a un cable más largo (F o G).
No se pueden conectar dos SpeedComforts (B1) con el cable de 30 cm suministrado (B2).	La distancia es demasiado grande/el cable es demasiado corto.	Compre un cable adicional de 60 cm o 120 cm (F o G) para conectar los SpeedComforts (B1).

<p>El sensor de temperatura (A2) no puede alcanzar la tubería de suministro de agua caliente.</p>	<p>El cable del sensor de temperatura (a4) es demasiado corto.</p>	<p>Compre un cable adicional de 60 cm o 120 cm (F o G) y conecte el cable del sensor de temperatura (a4). El sensor de temperatura (A2) también puede conectarse a la parte posterior del radiador.</p>
<p>No se puede conectar el SpeedComfort (B1) a un radiador de placa única.</p>	<p>SpeedComfort (B1) debe fijarse entre la pared y el radiador, pero los imanes (c1, c3) no pueden fijarse a la pared, ya que no es magnética.</p>	<p>Compre dos placas de metal (D1, D2) y fíjelas a la pared en la posición en la que tienen que fijarse los imanes (c1, c3) del SpeedComfort.</p>
<p>No se puede colocar el SpeedComfort (B1) entre la pared y el radiador de placa única.</p>	<p>El espacio suele ser demasiado pequeño (menos de 70 mm).</p>	<p>Compre dos soportes (C1, C2) y siga los pasos de instalación del radiador de placa única. Si el espacio es inferior a 5,5 cm, el SpeedComfort (B1) no puede caber entre las placas. En este caso, fije los pies (E) al SpeedComfort (B1) y colóquelo en el suelo bajo el radiador.</p>
<p>SpeedComfort (B1) no se ha encendido después de conectarlo a la toma de corriente.</p>	<p>El sensor de temperatura (A2) no registra 33 °C o más o el SpeedComfort (B1) no recibe alimentación.</p>	<ul style="list-style-type: none"> • Asegúrese de que el radiador esté encendido. • Asegúrese de que el sensor de temperatura (A2) esté conectado a la tubería de suministro de agua caliente o cerca de esta tubería en el radiador donde se calienta. • Asegúrese de que el sensor de temperatura (A2) haga un contacto adecuado. • Si el radiador no se calienta correctamente, ventile el sistema de calefacción central y considere la posibilidad de realizar un equilibrado hidráulico. • Asegúrese de que el enchufe de la pared funciona y de que el adaptador de alimentación (A1) esté insertado correctamente.

<p>No se puede fijar el sensor de temperatura (A2) al convector.</p>	<p>Los convectores, que están hechos de cobre o aluminio, no son magnéticos.</p>	<p>Use el velcro (A3) suministrado para fijar el sensor de temperatura (A2).</p>
<p>SpeedComfort (B1) no parece aumentar la potencia calorífica del radiador.</p>	<p>SpeedComfort (B1) podría estar mirando hacia abajo. Esto hace que el aire fluya en la dirección equivocada, en contra en vez de con el flujo.</p>	<p>Dé la vuelta al SpeedComfort (B1) de manera que quede mirando hacia arriba. La parte superior es el lado donde los ventiladores (b7, b8, b9) están cubiertos con tres tiras protectoras blancas.</p>
<p>No ahorra un 30% en la factura de energía.</p>	<p>El sistema de calefacción central no está lo suficientemente optimizado o no ha estado funcionando de forma óptima antes de la instalación de los SpeedComforts (B1).</p>	<p>Optimice el sistema de calefacción central (ver apartado 4.3) distribuyendo los SpeedComforts (B1), ajustando el punto de ajuste de temperatura y asegurando el equilibrado hidráulico. Si el sistema de calefacción central ha estado funcionando de forma óptima antes de la instalación de los SpeedComforts (B1), puede que no sea posible ahorrar un 30%.</p>
<p>Radiador viejo de hierro fundido o radiador de placa única con placa a < 55 mm de la pared.</p>	<p>Ninguno de los 4 tipos de radiadores mencionados.</p>	<p>Fije los pies (E) al SpeedComfort (B1) y colóquelo en el suelo bajo el radiador.</p>
<p>SpeedComfort (B1) hace demasiado ruido cuando se coloca sobre el convector.</p>	<p>Esto puede ser ruido de contacto.</p>	<p>Asegúrese de que el SpeedComfort (B1) no toque ninguna pieza de metal. Por esta razón, los pies (E) también deben estar fijados.</p>
<p>SpeedComfort (B1) no se apaga cuando el radiador se apaga/enfría.</p>	<p>El sensor de temperatura (A2) no se apaga.</p>	<p>Asegúrese de que el SpeedComfort (B1) está conectado adecuadamente al sensor de temperatura (A2).</p>

Puede encontrar respuestas a las preguntas más frecuentes (FAQs) en www.speedcomfort.com.

7. Eliminación

7.1. Eliminación del producto



El símbolo que aparece en el producto indica que no debe tratarse como residuo doméstico, sino que debe desecharse por separado. Deposite el producto en un punto limpio para que se recicle como equipo eléctrico y electrónico en los países de la UE y otros países de Europa que utilizan sistemas de recogida específicos

■ para equipos eléctricos y electrónicos desechados. Al desechar el producto de modo correcto, usted ayuda a evitar posibles peligros para el medio ambiente y la salud pública que, de otro modo, podrían producirse como consecuencia de un tratamiento inadecuado de los equipos desechados. El reciclaje de los materiales ayuda a conservar los recursos naturales. Por lo tanto, no deposite los equipos eléctricos y electrónicos obsoletos junto con los residuos domésticos sin clasificar.

7.2. Eliminación de los residuos de embalaje

Deseche el embalaje a través de sus instalaciones de reciclaje locales. Al tratar correctamente el embalaje y sus residuos, usted ayuda a evitar posibles peligros para el medio ambiente y la salud pública.

8. Glosario

Término	Significado
Imanes ajustables	Estos son los imanes (b13, b14, c1, c2, c3, c4) tanto en el SpeedComfort (B1) como en los soportes (C1, C2) que <i>pueden moverse ligeramente</i> para obtener el ajuste adecuado. Esto es necesario, ya que la distancia entre todas las placas de radiador varía.
Soporte	Este es el <i>soporte</i> que se usa para conectar los imanes ajustables (c1, c2, c3, c4) al SpeedComfort (B1). Estos imanes ajustables (c1, c2, c3, c4) se necesitan para fijar el SpeedComfort (B1) a un radiador estrecho, ya que los imanes (b10, b11, b13, b14) en el SpeedComfort (B1) no pueden ajustarse entre estas placas de radiador.
Sistema de calefacción central	Un sistema de calefacción central proporciona calor a todo el interior de un edificio (o parte de un edificio) <i>desde un punto</i> hasta múltiples habitaciones.
Convector	Los convectores son radiadores donde el agua caliente circula por un tubo rodeado de <i>pequeñas aletas</i> . Normalmente se instala <i>dentro de una caja de convección o de un conducto de ventilación</i> . SpeedComfort (B1) se coloca en la parte superior de un convector utilizando dos pies (E).
Ventilador	Un ventilador consiste en <i>aspas giratorias</i> que hacen que el aire fluya. SpeedComfort (B1) tiene 3 ventiladores.
Pies/pie	Los pies (E) están conectados a la parte inferior del SpeedComfort (B1). <i>Crean espacio</i> entre el convector y el SpeedComfort (B1).
Equilibrado hidráulico	Esto es el <i>equilibrado del sistema de calefacción central</i> utilizando el tornillo del radiador, el ajuste del termostato estándar o una válvula separada del radiador.
Placa de metal	Esta es una pequeña placa de metal redonda (D) que debe ser <i>fijada a la pared</i> cuando el SpeedComfort (B1) está instalado en un radiador de placa única. Los imanes ajustables (c1, c3) pueden fijarse a esta.
Radiador estrecho	Este es un radiador con una <i>distancia de menos de 70 mm</i> entre sus placas.
Óptimo	mejor o más favorable

Optimizar	hacer el mejor o más efectivo uso de
Adaptador de alimentación	El adaptador de alimentación (A1) <i>conecta el SpeedComfort (B1) a la alimentación.</i>
Tiras protectora	<i>En la parte superior del SpeedComfort (B1) cada uno de los ventiladores tiene tres tiras blancas protectoras. Deberían encontrarse en la parte superior cuando el SpeedComfort (B1) se instale.</i>
Radiador de placa única	Este es un radiador con solo <i>una placa</i> . SpeedComfort (B1) debe fijarse entre la pared y la placa única.
Ranura	Este es el lugar en la parte inferior del SpeedComfort (B1) donde los pies (E) se pueden fijar.
Sensor de temperatura	Esto incluye el sensor, el interruptor sensible a la temperatura, la carcasa y dos imanes. Se conecta a la tubería de agua caliente del radiador y <i>enciende automáticamente el SpeedComfort (B1) cuando registra 33 °C.</i>
Punto de ajuste de temperatura	Se refiere al punto de ajuste de la temperatura del sistema de calefacción central. Esta es la <i>temperatura a la que se controla la caldera.</i>
Toma de corriente	Permite que el adaptador de alimentación (A1) se conecte a la <i>alimentación.</i>
Tubería de agua caliente	Es la tubería que suministra agua caliente al radiador. El sensor de temperatura (A2) debe conectarse idealmente en la parte posterior del radiador, cerca de este tubo, o en el propio tubo, ya que este siempre estará caliente cuando el radiador esté funcionando.
Radiador ancho	Este es un radiador en el que <i>la distancia entre las placas es de 70 mm o más.</i>

Ausschlussklausel

SpeedComfort gewährt keine Zusicherungen oder Garantien hinsichtlich dieser Anleitung und beschränkt seine Haftung für die Verletzung jeglicher implizierten Garantie, soweit gesetzlich zulässig, auf den Ersatz dieser Anleitung durch eine andere. Zudem behält sich SpeedComfort das Recht vor, diese Publikation jederzeit zu überarbeiten, ohne irgendjemanden über diese Überarbeitung benachrichtigen zu müssen.

Die in dieser Dokumentation bereitgestellten Informationen umfassen allgemeine Beschreibungen und technische Merkmale zur Leistung der hierin beschriebenen Produkte. Diese Dokumentation kann nicht als ordnungsgemäße Beurteilung der Eignung oder Zuverlässigkeit der Produkte für eine spezifische Anwendung bei einem Benutzer dienen und darf nicht als Ersatz einer solchen Beurteilung herangezogen werden. Es liegt in der Verantwortung eines jeden solchen Benutzers oder Installateurs, eine angemessene und vollständige Risikobeurteilung, Evaluation und Prüfung der Produkte hinsichtlich ihrer jeweiligen spezifischen Anwendung durchzuführen. Weder SpeedComfort noch einer seiner Partner oder Tochterunternehmen kann bei Missbrauch der hierin enthaltenen Informationen verantwortlich oder haftbar gemacht werden. Falls Sie irgendwelche Vorschläge für Verbesserungen oder Ergänzungen haben oder Ihnen in dieser Publikation Fehler aufgefallen sind, benachrichtigen Sie uns bitte darüber.

Alle einschlägigen staatlichen, regionalen und örtlichen Sicherheitsvorschriften müssen bei der Installation und Verwendung dieses Produktes stets beachtet werden. Aus Gründen der Sicherheit und zur Gewährleistung der Einhaltung der dokumentierten Systemdaten ist allein der Hersteller berechtigt, Reparaturen an Komponenten durchzuführen.

Bei Nichtbeachtung dieser Informationen können Verletzungen oder Beschädigungen die Folge sein.

Copyright © 2018 SpeedComfort

Alle Rechte vorbehalten. Kein Teil dieser Publikation darf in irgendeiner Form, einschließlich Fotokopie, Aufzeichnung oder einem anderen elektronischen oder mechanischen Verfahren ohne schriftliche Genehmigung des Herausgebers reproduziert, verarbeitet oder weitergegeben werden. Anfragen für Genehmigungen müssen in schriftlicher Form an den Herausgeber unter der unten angegebenen Adresse mit dem Zusatz „z. Hd. Genehmigungskordinator“ gerichtet werden.

SpeedComfort

Antwortnummer 7200

3734ZW Den Dolder

Niederlande

Tel: +31 85 666 62 23

E-Mail: info@speedcomfort.com

Webseite: <https://www.speedcomfort.com>

Inhalt

1.	Vorwort	60
1.1.	Beschreibung des Anwenders	60
1.2.	In dieser Anleitung verwendete Konventionen	60
1.3.	Erklärung der Sicherheitshinweise	60
1.4.	Aufbewahrung der Anweisungen	60
1.5.	Beschaffen von Dokumentationen und Informationen	61
2.	Beschreibung des Produkts	62
2.1.	Bestimmungsgemäße Verwendung und vorhersehbare Fehlanwendung	62
2.2.	Überblick über das System	62
2.3.	Technische Daten	63
2.4.	Komponenten	64
3.	Sicherheitshinweise	69
3.1.	Sichere Verwendung des Produkts	69
4.	Installation	71
4.1.	Auswahl der Komponenten	71
4.2.	Verbinden des SpeedComfort mit dem Heizkörper	72
4.3.	Optimieren der Zentralheizung	78
5.	Wartung	79
5.1.	Wartung des SpeedComfort	79
6.	Fehlersuche	80
7.	Entsorgung	83
7.1.	Entsorgung des Produkts	83
7.2.	Entsorgung der Verpackung	83
8.	Glossar	84

1. Vorwort

1.1. Beschreibung des Anwenders

Diese Installationsanleitung ist für den Endverbraucher als Haus-/Wohnungseigentümer gedacht, der einen oder mehrere SpeedComfort-Geräte an den Heizkörpern in seinem Haus/ seiner Wohnung installieren möchte. Der Anwender muss dabei keine spezielle Erfahrung, Schulung oder Zertifizierung haben, um den SpeedComfort installieren zu können.

1.2. In dieser Anleitung verwendete Konventionen

Die folgenden Schriftstile werden in diesem Dokument verwendet:

Fett

Bezeichnungen von Produktbestandteilen

Kursiv

Hervorhebung (beispielsweise bei einem neuen Begriff)

1.3. Erklärung der Sicherheitshinweise



„Vorsicht“ weist auf eine Gefahr hin, die, falls sie nicht vermieden wird, zu leichten bis mittelschweren Verletzungen führen kann.

HINWEIS

„Hinweis“ kennzeichnet Informationen, die wichtig sind, aber nicht mit potenziell gefährlichen Situationen in Verbindung stehen.

1.4. Aufbewahrung der Anweisungen

Stellen Sie sicher, dass Sie die vollständige Anleitung und sämtliche Sicherheitshinweise gelesen und verstanden haben, bevor Sie dieses Produkt verwenden.

Befolgen Sie alle Anweisungen. Dadurch werden Feuer, Explosionen, Stromschläge oder andere Gefahren vermieden, die Sachschäden verursachen und/oder zu Verletzungen führen können.

Das Produkt darf nur von Personen verwendet werden, die den Inhalt dieser Bedienungsanleitung vollständig gelesen und verstanden haben.

Stellen Sie sicher, dass alle Personen, die dieses Produkt verwenden, diese Warnungen und Anweisungen gelesen haben und befolgen.

Heben Sie alle Sicherheitsinformationen und Anweisungen zum späteren Nachschlagen auf und geben Sie sie an spätere Benutzer des Produkts weiter.

Der Hersteller haftet nicht für Fälle materieller Schäden oder Verletzungen, die auf eine falsche Handhabung oder Nichteinhaltung der Sicherheitshinweise zurückzuführen sind. In solchen Fällen erlischt die Garantie.

1.5. Beschaffen von Dokumentationen und Informationen

1.5.1. Internet

Eine aktuelle Version der Dokumentation steht auf der folgenden Webseite zur Verfügung:
<https://www.speedcomfort.nl/home/speedcomfort-manual/>

1.5.2. Bestellen von Dokumentationen

Dokumentationen, Benutzeranweisungen und technische Informationen können telefonisch bei SpeedComfort unter +31 85 666 62 23 bestellt werden.

1.5.3. Rückmeldungen zur Dokumentation

Falls Sie eine **SpeedComfort** Produktdokumentation im Internet lesen, können Sie Kommentare über die Support-Webseite übermitteln. Kommentare können auch per E-Mail an info@speedcomfort.com gesendet werden.

Wir freuen uns über Ihre Rückmeldungen.

1.5.4. Support und Service

Bei Fragen, für sonstige Informationen, technische Hilfestellung, bei Fragen zu Wartungsarbeiten oder zur Bestellung von Benutzeranweisungen nehmen Sie bitte Kontakt auf mit:

SpeedComfort

Antwortnummer 7200

3734ZW Den Dolder

Niederlande

Tel: +31 85 666 62 23

Webseite: <https://www.speedcomfort.com>

SpeedComfort ist auch sehr an Ihren persönlichen Erfahrungen mit diesem Produkt interessiert. Schildern Sie uns diese doch per E-Mail: ervaringen@speedcomfort.com.

2. Beschreibung des Produkts

2.1. Bestimmungsgemäße Verwendung und vorhersehbare Fehlanwendung

Der SpeedComfort ist als Lüfter gedacht, der auf einen Heizkörper aufgesetzt wird, welcher mit der zentralen Heizungsanlage verbunden ist. Der SpeedComfort soll dann die Wärme vom Heizkörper abziehen, um eine gleichmäßigere Aufwärmung des Raumes zu unterstützen.

Das Produkt muss gemäß den Anweisungen in diesem Handbuch verwendet werden. Jegliche andere als in dieser Gebrauchsanweisung beschriebene Verwendung gilt als nicht bestimmungsgemäße Verwendung. Eine solche Verwendung führt zum Erlöschen jeglichen Garantieanspruchs.

2.2. Überblick über das System

Dieses Produkt enthält verschiedene Bestandteile, die als System zusammenarbeiten. Der SpeedComfort ist die Hauptkomponente. Der SpeedComfort ist mit einem Netzadapter und einem Temperaturfühler verbunden. Bei einem *breiten Heizkörper* (mit mehr als 70 mm auseinanderliegenden Platten) ist nur mehr ein optionales Kabel erforderlich. Bei den anderen Heizkörpertypen, auf denen der SpeedComfort installiert werden kann, werden zusätzliche Komponenten benötigt:

- Bei einem *schmalen Heizkörper* (Platten mit 38 mm bis 70 mm Abstand) sind zwei Halterungen (Paket C) erforderlich
- Bei einem *Einzelplatten-Heizkörper* (mit mehr als 55 mm Abstand zur Wand) werden zwei Platten (Paket D) benötigt.
- Bei einem *Konvektor* werden zwei Füße benötigt (Paket E)

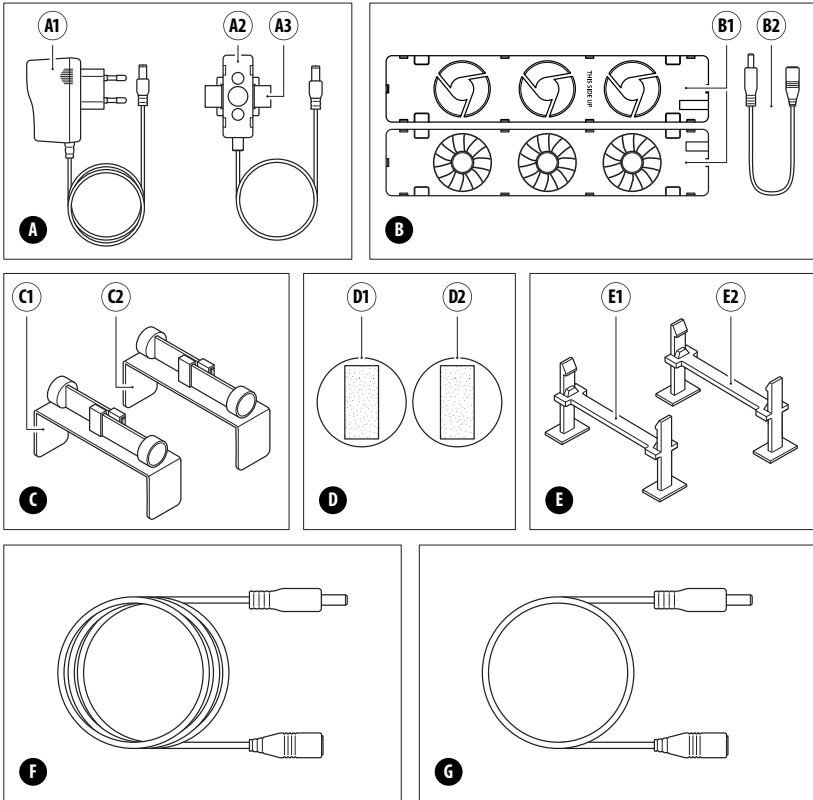
Zusätzliche SpeedComfort-Geräte können mithilfe der Kabel (30 cm, 60 cm oder 120 cm) miteinander verbunden werden. Diese Kabel dienen auch zur Verlängerung des Netzadapters oder der Temperaturfühlerkabel.

2.3. Technische Daten

Parameter	Einheit
Produktbezeichnung	SpeedComfort
Technische Lebensdauer: SpeedComfort	10 Jahre
Technische Lebensdauer: Netzadapter	2 Jahre
Ein/Aus	0,55W
Jährlicher Energieverbrauch	< 1kWh
Geräuschpegel	< 20dB(A)
Luftstrom	30 m ³
Breite	70 mm
Ausgang	12V/DC
Stromversorgung	100-240V; 0,25A 230V AC
Betriebstemperatur	-20°C bis +85°C
Lagertemperatur	-40°C bis +85°C
Relative Luftfeuchtigkeit bei Verwendung und Lagerung	max. 80% (nicht kondensierend)

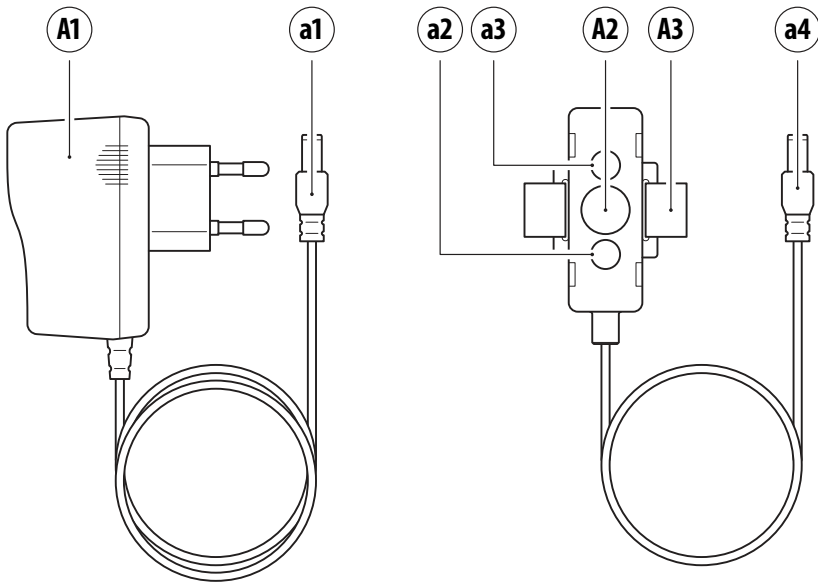
2.4. Komponenten

2.4.1. Hauptbestandteile je Packung



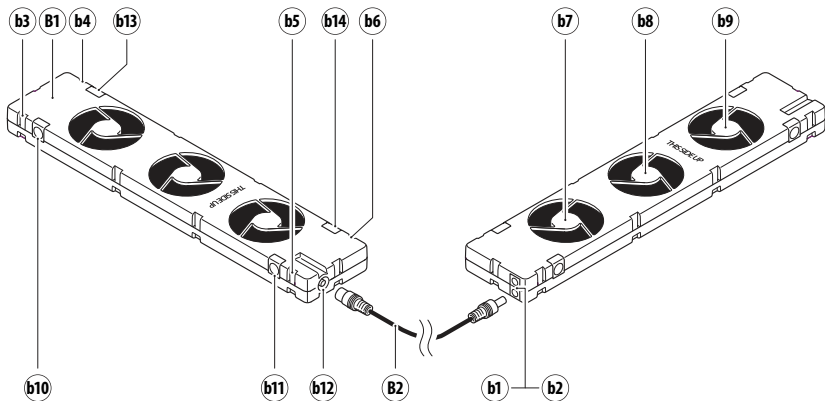
- A. Netzadapter (A1) + Temperaturfühler (A2) (mit Klettband (A3))
- B. SpeedComfort (B1) + 30 cm Kabel (B2)
- C. 2 Halterungen (C1 und C2)
- D. 2 Metallplatten (D1 und D2)
- E. 2 Füße (E1 und E2)
- F. 60 cm Kabel
- G. 120 cm Kabel

2.4.2. Paket A: Netzadapter und Temperaturfühler



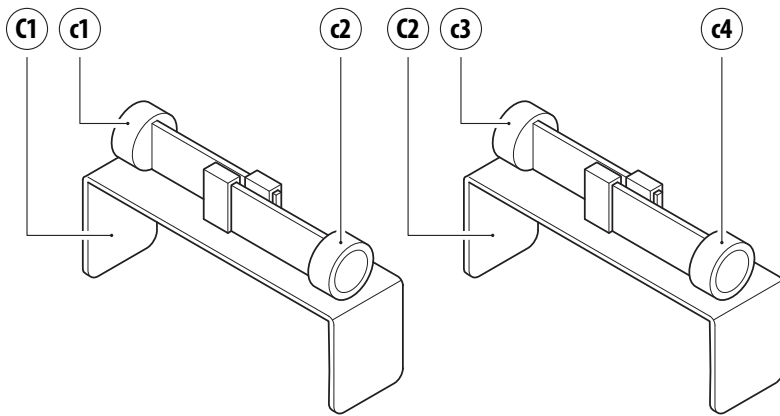
- a1. Netzadapterkabel
- A1. Netzadapter
- A2. Temperaturfühler
- a2. Magnet
- a3. Magnet
- A3. Klettband
- a4. Temperaturfühlerkabel

2.4.3. Paket B: SpeedComfort und Kabel



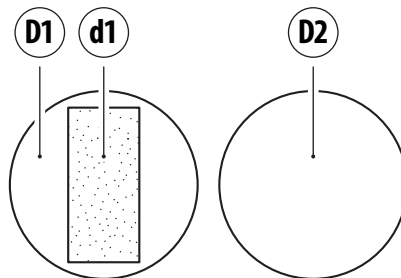
- B1. SpeedComfort
- b1. Anschlussbuchse
- b2. Anschlussbuchse
- b3. Schlitz zum Einsetzen von Halterung oder Fuß
- b4. Schlitz zum Einsetzen von Halterung oder Fuß
- b5. Schlitz zum Einsetzen von Halterung oder Fuß
- b6. Schlitz zum Einsetzen von Halterung oder Fuß
- b7. Ventilator
- b8. Ventilator
- b9. Ventilator
- b10. Magnet
- b11. Magnet
- b12. Anschlussstecker
- b13. Verstellbarer Magnet
- b14. Verstellbarer Magnet
- B2. 30 cm Kabel

2.4.4. Paket C: Halterungen



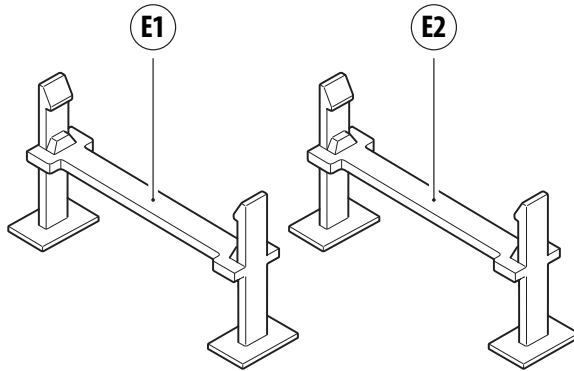
- C1. Halterung
- c1. Verstellbarer Magnet
- C2. Halterung
- c2. Verstellbarer Magnet
- c3. Verstellbarer Magnet
- c4. Verstellbarer Magnet

2.4.5. Paket D: Metallplatten



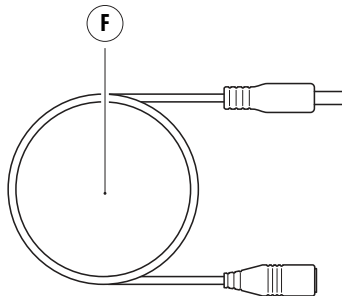
- D1. Metallplatte
- d1. Klebstoff
- D2. Metallplatte

2.4.6. Paket E: FüÙe

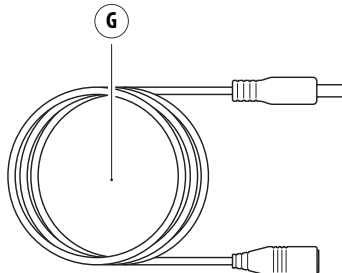


- E1. Fuß
- E2. Fuß

2.4.7. Paket F: 60 cm Kabel



2.4.8. Paket G: 120 cm Kabel



3. Sicherheitshinweise

VORSICHT

Stellen Sie sicher, dass Sie die vollständige Anleitung und sämtliche Sicherheitshinweise gelesen und verstanden haben, bevor Sie den SpeedComfort und die entsprechenden Bauteile verwenden.

3.1. Sichere Verwendung des Produkts

3.1.1. Sicherheitsinformationen für schutzbedürftige Personen

- Lassen Sie Kinder niemals mit dem Verpackungsmaterial alleine. Es besteht ein Risiko zu ersticken.
- Kinder dürfen nicht mit dem Produkt spielen. Dieses Produkt ist kein Spielzeug.
- Installieren Sie das Produkt nicht, wenn Sie eingeschränkte physische, sensorische oder geistige Fähigkeiten haben.
- Lassen Sie keine Installation des Produktes durch Personen (einschließlich Kindern) mit eingeschränkten physischen, sensorischen oder geistigen Fähigkeiten zu.

3.1.2. Sicherheitsinformationen zur bestimmungsgemäßen Verwendung

- Verwenden Sie dieses Produkt nur als Heizkörperlüfter, indem Sie es an einer Heizung anbringen. Befolgen Sie dazu die Anweisungen in dieser Anleitung.

3.1.3. Produktgrenzen und Beschränkungen

- Verwenden Sie keine scharfen Objekte in der Nähe der Ventilatoren.
- Halten Sie das Produkt von offenem Feuer, Lötkolben oder anderen heißen Werkzeugen fern, da diese das Produkt beschädigen könnten.

3.1.4. Sicherheitsinformationen zur Installation

- Lassen Sie beim Umgang mit dem Produkt sowie beim Anheben und Transportieren Vorsicht walten.
- Seien Sie stets aufmerksam und vorsichtig, wenn Sie ein elektrisches Produkt installieren. Installieren Sie das Produkt nicht, wenn Sie sich nicht richtig konzentrieren können oder Sie einen nahenden Ohnmachtsanfall bemerken oder falls Sie unter dem Einfluss von Medikamenten, Alkohol oder Drogen stehen.

- Stellen Sie sicher, dass die örtliche Netzspannung mit dem auf dem Produkt angegebenen Wert übereinstimmt, bevor Sie den Netzadapter mit der Steckdose verbinden. Die maximal zulässige Spannung beträgt 230V.
- Schließen Sie das Produkt an eine ordnungsgemäß installierte und leicht zugängliche Netzsteckdose an. Achten Sie darauf, dass das Produkt jederzeit vom Stromnetz getrennt werden kann.

3.1.5. Sicherheitsinformationen zur Verwendung

- Verwenden Sie das Produkt niemals draußen. Das Produkt ist nur für den Gebrauch in Innenräumen bestimmt.
- Überprüfen Sie alle Komponenten (einschließlich der Kabel) auf Beschädigungen, bevor Sie das Produkt installieren. Ziehen Sie den Netzadapter unverzüglich aus der Steckdose, falls Sie sichtbare Schäden, starke Gerüche oder eine Überhitzung der Komponenten bemerken.

3.1.6. Sicherheitsinformationen zur Wartung

- Berühren Sie das Produkt oder den Netzadapter niemals mit nassen Händen.
- Halten Sie das Produkt von Feuchtigkeit fern. Seien Sie auch vorsichtig bei der Reinigung des Produktes oder des Heizkörpers, an dem es angebracht ist. Stellen Sie sicher, dass kein Wasser durch die Ventilatoren in das Produkt eindringt.

3.1.7. Sicherheitsinformationen zu Service und Reparatur

- Versuchen Sie nicht, das Produkt zu öffnen, zu ändern oder zu reparieren. Veränderungen oder Modifikationen des Produktes sind nicht zulässig. In diesen Fällen würde die Garantie erlöschen.

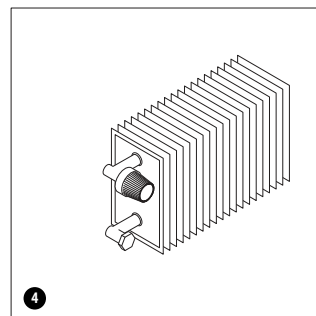
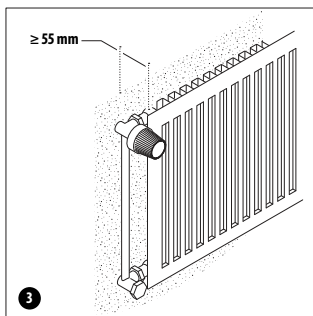
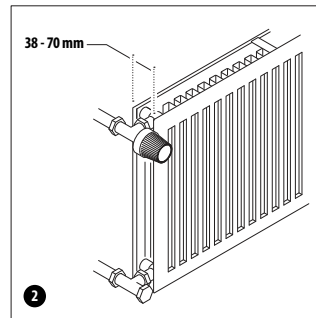
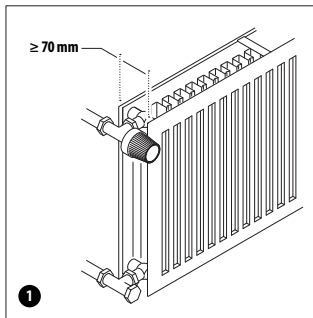
4. Installation

4.1. Auswahl der Komponenten

Der SpeedComfort kann an verschiedenen Heizkörpertypen installiert werden. Für jeden Heizkörpertyp ist dabei ein eigener Installationsweg erforderlich. Je nach Art der in Ihrem Zuhause vorhandenen Heizkörper müssen Sie sicherstellen, dass Sie die zugehörigen Komponenten besitzen.

Zur Auswahl der Komponenten:

1. Bestimmen Sie die Arten der Heizkörper, an denen Sie den **SpeedComfort** installieren möchten.



- 1 Breiter Heizkörper, sind solche Heizkörper, bei denen der Abstand zwischen den Platten 70 mm oder mehr beträgt.
- 2 Schmalere Heizkörper, sind solche Heizkörper, bei denen der Abstand zwischen den Platten zwischen 38 mm und 70 mm beträgt.
- 3 Einzelplatten-Heizkörper sind Heizkörper mit nur einer Platte. Der Abstand zwischen der Wand und der Platte muss mindestens 55 mm betragen.

- 4 Konvektoren sind Heizkörper, bei denen heißes Wasser durch ein Rohr zirkuliert, das von kleinen Lamellen umgeben ist. Üblicherweise ist dies in einem Konvektorgehäuse oder einem Belüftungsschacht installiert.
2. Wählen Sie gemäß Tabelle 1 die Komponenten, die für Ihren Heizkörper typ erforderlich sind. **HINWEIS** Für ein durchschnittliches Wohnzimmer benötigen Sie 3 bis 5 SpeedComfort-Geräte (Paket B) mit zugehörigen Komponenten. Verwenden Sie die Komponenten F & G (60 cm und 120 cm Kabel), wenn ein längeres Kabel benötigt wird.

Heizkörpertyp	Komponenten
Breit (Plattenabstand ≥ 70 mm)	A & B
Schmal (Plattenabstand ≥ 38 mm und < 70 mm)	A, B & C
Einzelplatte (Plattenabstand zur Wand ≥ 55 mm)	A, B, C & D
Konvektor	A, B & E

Tabelle 1 - Komponenten je Heizkörpertyp

4.2. Verbinden des SpeedComfort mit dem Heizkörper

Der SpeedComfort kann an verschiedenen Heizkörpertypen installiert werden. Für jeden Heizkörpertyp ist dabei ein eigener Installationsweg erforderlich. Daher müssen Sie nach der Auswahl der für den Heizkörpertyp erforderlichen Komponenten die spezifischen Installationsschritte für genau diesen Heizkörpertyp befolgen.

4.2.1. Verbinden des SpeedComfort mit einem breiten Heizkörper (Plattenabstand ≥ 70 mm)

1. Stellen Sie sicher, dass der **SpeedComfort** (B1) nach oben weist und dass die **Anschlussbuchsen** (b1, b2) in Richtung der Steckdose weisen (siehe Abb. 1).

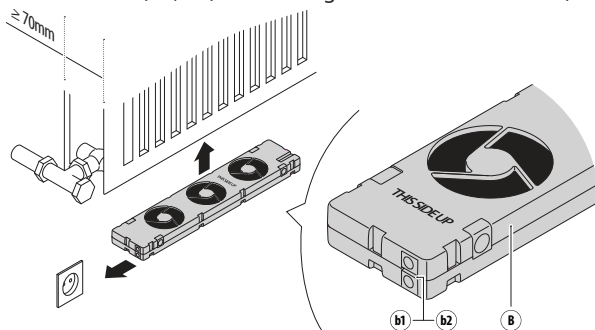


Abb. 1 - Position des SpeedComfort (B1).

- Finden Sie einen Platz, an dem die Wandhalterungen und Verbindungsclips des Heizkörpers nicht im Weg sind. Bringen Sie den **SpeedComfort** (B1) mit den **verstellbaren Magneten** (b13, b14) unten zwischen den Heizkörperplatten an (siehe Abb. 2). Der **SpeedComfort** (B1) kann auch oben auf dem Heizkörper unter einer Abdeckung aufgesetzt werden. **HINWEIS** Stellen Sie sicher, dass die **Ventilatoren** (b7, b8, b9) nach oben weisen!

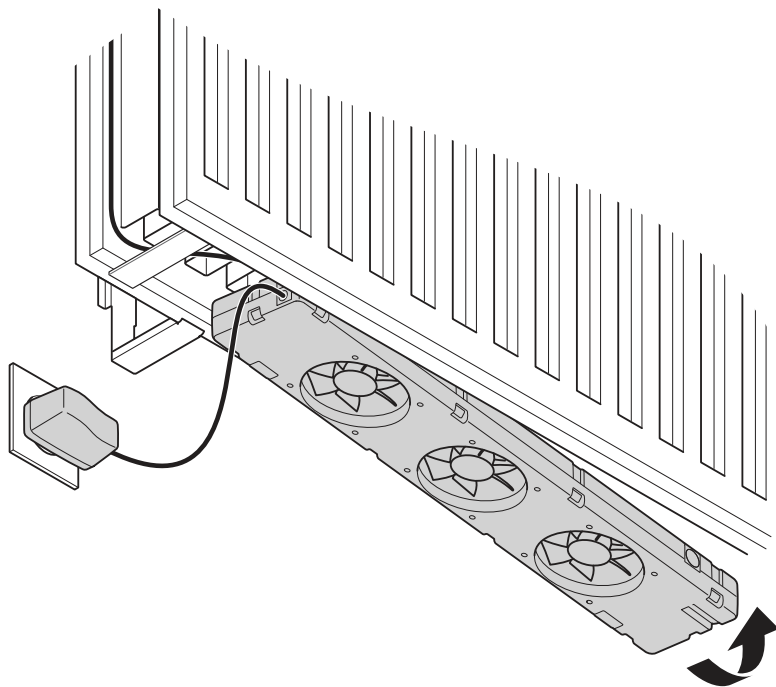


Abb. 2 - Anbringen des SpeedComfort (B1).

- Verbinden Sie das **Temperaturfühlerkabel** (a4) mit einer der **Anschlussbuchsen** (b1 oder b2) des **SpeedComfort** (B1).
- Bringen Sie den **Temperaturfühler** (A2) mit den Magneten (a2, a3) auf der Rückseite des Heizkörpers in der Nähe des Warmwasserzulaufrohrs oder am Rohr selbst an (siehe Abb. 3).

5. Verbinden Sie den **Netzadapter** (A1) mit der verbleibenden **Anschlussbuchse** (b1 oder b2) und der Steckdose (siehe Abb. 3).

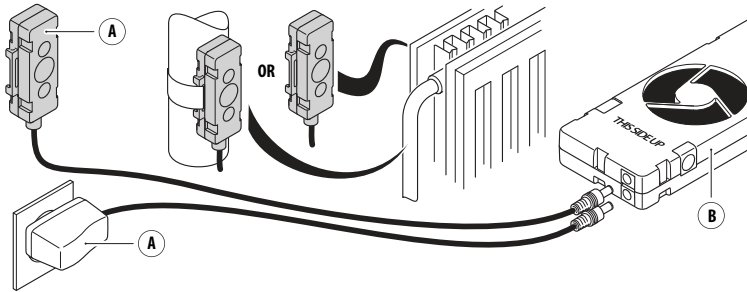


Abb. 3 - Anschließen des Netzadapters (A1) und Temperaturfühlers (A2).

6. Bei langen Heizkörpern verbinden Sie zusätzliche **SpeedComfort**-Geräte (B1) mithilfe des **30 cm Anschlusskabels** (B2) (siehe Abb. 4). Es können mehrere **SpeedComfort**-Geräte (B1) (bis zu 20) mit einem **Netzadapter** (A1) verbunden werden. Zusätzliche **Temperaturfühler** (A2) sind nicht erforderlich.

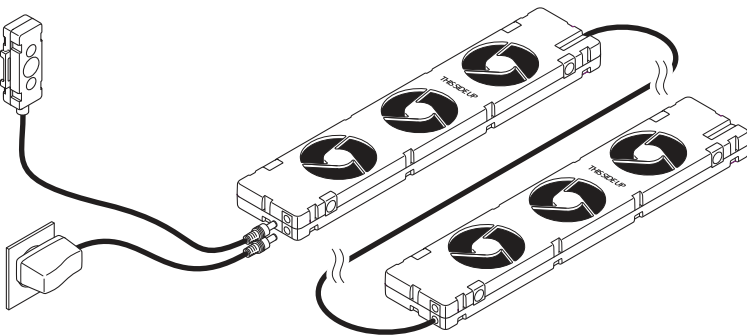


Abb. 4 - Verbinden weiterer SpeedComfort-Geräte (B1).

7. Schalten Sie Ihre zentrale Heizungsanlage ein. Warten Sie, bis sich der **SpeedComfort** (B1) automatisch einschaltet. Dies geschieht, wenn die Heizkörpertemperatur 33°C übersteigt. Er schaltet sich automatisch aus, wenn der Heizkörper auf unter 25°C abkühlt.

4.2.2. Verbinden des SpeedComfort mit einem schmalen Heizkörper (Plattenabstand ≥ 38 mm und < 70 mm)

1. Setzen Sie die beiden **Halteungen** (C1, C2) oben auf den **SpeedComfort** (B1) (siehe Abb. 5).
2. Wiederholen Sie die Schritte 1-7 wie für einen *breiten Heizkörper*. Verwenden Sie die **verstellbaren Magnete** (c1, c2, c3, c4) an den **Halteungen** (C1, C2), um den **SpeedComfort** (B1) zwischen den Platten aufzuhängen (siehe Abb. 5 und 6). Richten Sie den **SpeedComfort** (B1) an der Vorderseite des Heizkörpers aus, um die Lüftung zu optimieren.

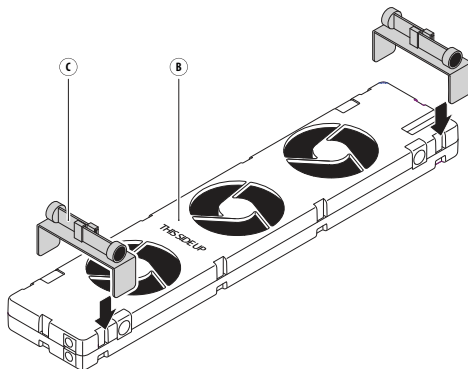


Abb. 5 - Bringen Sie die Halteungen am **SpeedComfort** (B1) an.

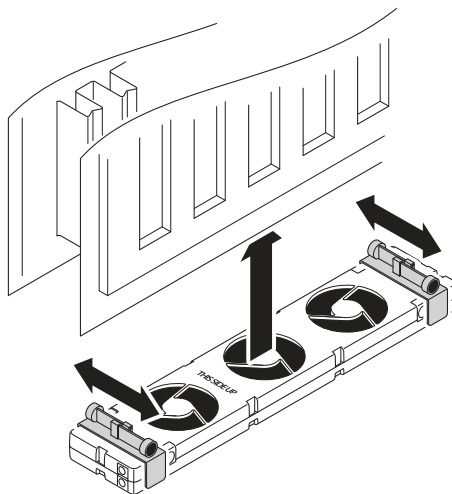


Abb. 6 - Hängen Sie den **SpeedComfort** (B1) zwischen die Heizkörperplatten.

4.2.3. Verbinden des SpeedComfort mit einem Einzelplatten-Heizkörper (Plattenabstand zur Wand ≥ 55 mm)

1. Setzen Sie die beiden **Halteungen** (C1, C2) oben auf den **SpeedComfort** (B1) (siehe Abb. 5).
2. Wiederholen Sie die Schritte 1-7 wie für einen breiten Heizkörper. Befestigen Sie an den ermittelten Stellen die beiden **Metallplatten** (D1, D2) an der Wand. Verwenden Sie die **verstellbaren Magnete** (c1, c2, c3, c4) an den **Halteungen** (C1, C2), um den **SpeedComfort** (B1) an der Wand und dem Einzelplatten-Heizkörper anzubringen (siehe Abb. 7).

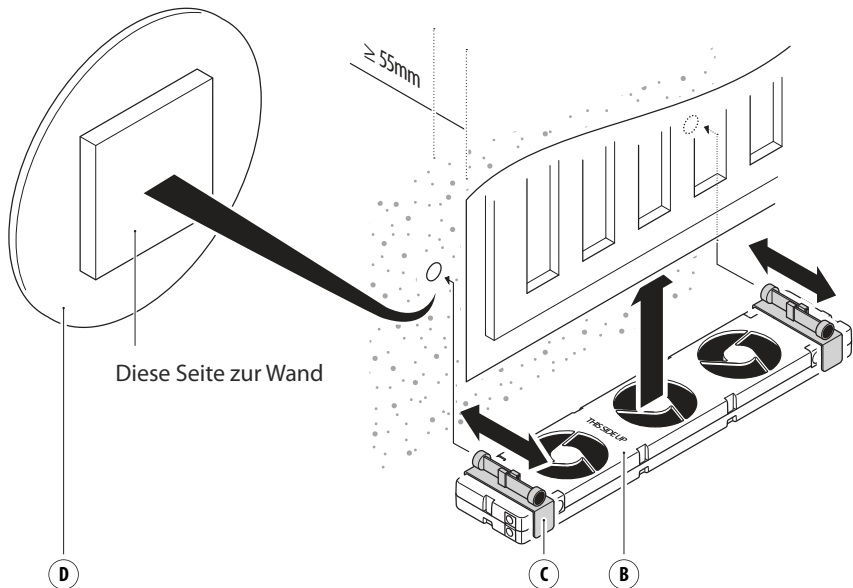


Abb. 7 - Anbringen des SpeedComfort (B1) an der Wand und dem Einzelplatten-Heizkörper.

4.2.4. Verbinden des SpeedComfort mit einem Konvektor

1. Bringen Sie die **FüÙe** (E1, E2) an dem **SpeedComfort** (B1) an, indem Sie sie in die **Schlitz**e (b3, b4) einrasten lassen (siehe Abb. 8).
2. Stellen Sie sicher, dass der **SpeedComfort** (B1) nach oben weist und dass die **Anschlussbuchsen** (b1, b2) in Richtung der Steckdose weisen (siehe Abb. 9).
3. Platzieren Sie den **SpeedComfort** (B1) oben auf den Konvektor und lassen Sie zwischen den Konvektorseiten und dem **SpeedComfort** (B1) Platz, um die Geräuscentwicklung zu reduzieren (siehe Abb. 9). Der SpeedComfort kann auch auf dem Boden unterhalb des Konvektors platziert werden, wenn der Platz dafür ausreicht.

4. Wiederholen Sie die Schritte 3-7 wie für einen breiten Heizkörper. Verwenden Sie das **Klettband** (A3), um den **Temperaturfühler** (A2) auf nicht magnetischem Material zu befestigen. Achten Sie darauf, dass der **SpeedComfort** (B1) keine metallischen Teile berührt, um Geräusentwicklungen durch Kontakt zu verhindern.

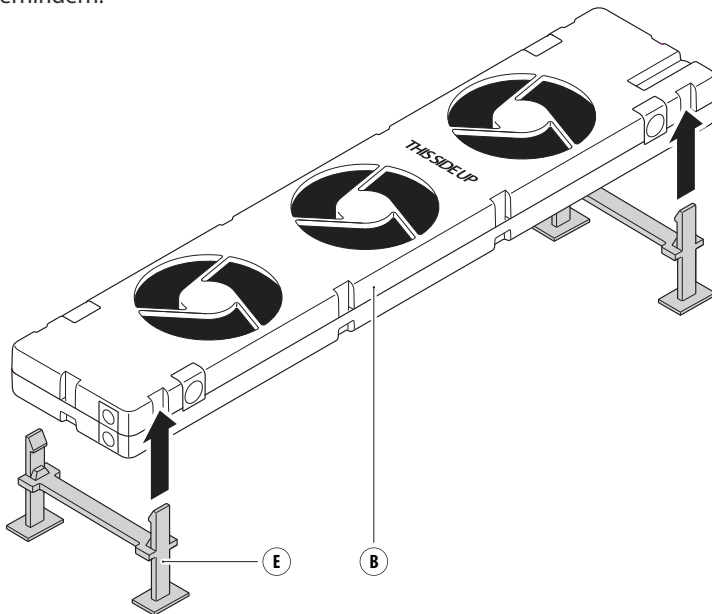


Abb. 8 - Anbringen eines Fußes (E1 oder E2).

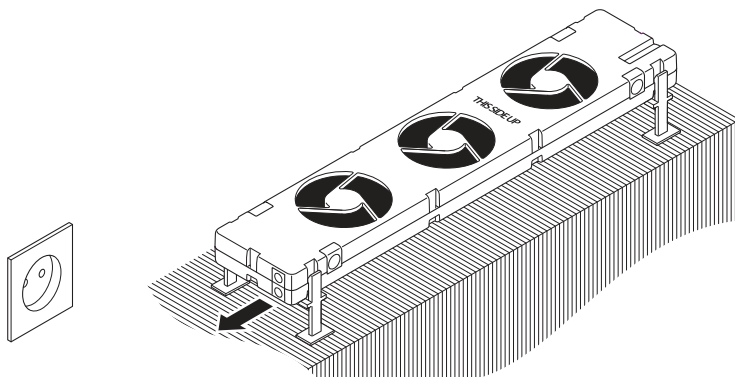


Abb. 9 - Position des **SpeedComfort** (B1) auf dem Konvektor.

4.3. Optimieren der Zentralheizung

Der SpeedComfort leitet die Wärme vom Heizkörper ab, sodass der Raum schneller und gleichmäßiger erwärmt wird. Dies kann den Energieverbrauch in Ihrem Haus um bis zu 30% reduzieren. Um dieses Einsparpotenzial zu erreichen, müssen jedoch ein paar Faktoren optimiert werden: Die SpeedComfort-Geräte müssen im gesamten Haus verteilt werden; der Temperatur-Sollwert der Zentralheizung muss gesenkt werden und die zentrale Heizungsanlage muss hydronisch abgestimmt sein.

4.3.1. Verteilen der SpeedComfort-Geräte

1. Installieren Sie 3 bis 5 **SpeedComfort**-Geräte (B1) (mit zugehörigen Komponenten) in einem (durchschnittlichen) Wohnzimmer.
2. Installieren Sie **SpeedComfort**-Geräte (B1) in allen regelmäßig verwendeten Zimmern.

So kann sichergestellt werden, dass die Luft im Zimmer einmal pro Stunde zirkuliert, da ein SpeedComfort 30m³/h bewegt.

4.3.2. Absenken des Temperatur-Sollwerts

1. Senken Sie den an der Zentralheizung eingestellten Sollwert auf mindestens 60°C. Beachten Sie das Handbuch Ihrer zentralen Heizungsanlage oder bitten Sie einen Wartungstechniker, die Einstellung vorzunehmen. Falls gewünscht, kann dies auch in kleinen Schritten erfolgen, um den optimalen Sollwert zu ermitteln. Ein niedrigerer Sollwert spart mehr Energie.
2. Stellen Sie sicher, dass der Wartungstechniker Ihrer zentralen Heizungsanlage diese nicht auf Werkseinstellungen zurücksetzt (75-90°C).

Der **SpeedComfort** leitet die Wärme vom Heizkörper ab, sodass der Raum schneller erwärmt wird. So kann der Kessel schneller abschalten und damit wird Energie eingespart.

4.3.3. Führen Sie eine hydronische Abstimmung durch

Justieren Sie die zentrale Heizungsanlage mithilfe der Heizungsschraube, über die Standardeinstellung des Thermostats oder ein separates Heizungsventil. **VORSICHT!** Bitten Sie den Wartungstechniker der Heizungsanlage darum, bei der hydronischen Abstimmung der zentralen Heizungsanlage zu helfen. Dies ist kein Standardverfahren und erfordert einiges an Expertise.

Die hydronische Abstimmung optimiert die Verteilung des Wassers in einer zentralen Heizungsanlage. Dies ist für eine effiziente Energieausnutzung notwendig und stellt sicher, dass die Raumtemperatur nicht schwankt.

Um mehr über Energiesparen und die Reduzierung von Energieverlusten zu erfahren, besuchen Sie www.speedcomfort.com.

5. Wartung

5.1. Wartung des SpeedComfort

5.1.1. Reinigung des Produkts

Der SpeedComfort und die zugehörigen Komponenten können bei Bedarf gereinigt werden.

Zum Reinigen des Produkts:

1. Reinigen Sie das Produkt mit einem Staubsauger, wenn es verschmutzt ist. **VORSICHT!** Verwenden Sie nur die niedrigste Stufe des Staubsaugers.
2. Reinigen Sie das Produkt bei Bedarf mit einem feuchten Tuch. **VORSICHT!** Stellen Sie sicher, dass kein Wasser durch die Ventilatoren in den SpeedComfort eindringt.

5.1.2. Austauschen von Komponenten

Falls Komponenten beschädigt sind, müssen diese ausgetauscht werden. **VORSICHT!** Versuchen Sie nicht, das Produkt zu öffnen, zu ändern oder zu reparieren.

Zum Austauschen von Komponenten:

1. Tauschen Sie beschädigte Komponenten, die noch der Garantie unterliegen, beim Lieferanten aus. Der SpeedComfort verfügt über eine zehnjährige Garantie und der Netzadapter hat eine zweijährige Garantie. **HINWEIS** Aus Sicherheits- und Regulierungsgründen (CE) sind Veränderungen oder Modifikationen des Produktes nicht zulässig.
2. Entsorgen Sie beschädigte Komponenten, die nicht mehr der Garantie unterliegen, und erwerben Sie neue Komponenten.

6. Fehlersuche

Problem	Ursache	Lösung
Der SpeedComfort (B1) passt nicht zwischen die Platten des Heizkörpers.	Es ist ein schmaler Heizkörper.	Erwerben Sie zwei Halterungen (C1, C2) und befolgen Sie die Installationsschritte für schmale Heizkörper.
Der SpeedComfort (B1) passt nicht unten auf den Heizkörper.	Dort ist nicht genug Platz.	Setzen Sie den SpeedComfort (B1) oben auf den Heizkörper auf. Die Leistungsfähigkeit wird dadurch nicht beeinflusst. Die Montage unten wird nur bevorzugt, weil das Gerät dann weniger sichtbar ist. Stellen Sie unbedingt sicher, dass der SpeedComfort (B1) trotzdem nach oben weist.
Der SpeedComfort (B1) muss oben auf den Heizkörper aufgesetzt werden, aber die Heizung hat eine Abdeckung.	N/A	Setzen Sie den SpeedComfort (B1) unterhalb der Abdeckung auf. Beachten Sie jedoch, dass der SpeedComfort (B1) dadurch höheren Temperaturen ausgesetzt wird, wodurch seine Lebensdauer leicht beeinträchtigt werden könnte.
Ich kann die Magnete (b10, b11, b13, b14) am SpeedComfort nicht verstellen.	Nur zwei der vier Magnete (b13, b14) sind verstellbar.	Verwenden Sie die beiden verstellbaren Magnete (b13, b14).
Ich kann den SpeedComfort (B1) nicht mit der Steckdose verbinden.	Der SpeedComfort (B1) wurde mit den beiden Anschlussbuchsen (b1, b2) auf der falschen Seite platziert oder das Netzadapterkabel (a1) ist nicht lang genug.	Drehen Sie den SpeedComfort (B1) herum, sodass die beiden Anschlussbuchsen (b1, b2) in die andere Richtung weisen oder erwerben Sie ein längeres Kabel (F oder G) und verlängern Sie damit das Netzadapterkabel (a1).
Ich kann zwei SpeedComfort -Geräte (B1) nicht mit dem mitgelieferten 30 cm Kabel (B2) verbinden.	Der Abstand ist zu groß / das Kabel ist zu kurz.	Erwerben Sie ein zusätzliches 60 cm oder 120 cm Kabel (F oder G), um die SpeedComfort -Geräte (B1) zu verbinden.

<p>Der Temperaturfühler (A2) reicht nicht bis zur Warmwasser-Versorgungsleitung.</p>	<p>Das Temperaturfühlerkabel (a4) ist zu kurz.</p>	<p>Erwerben Sie ein zusätzliches 60 cm oder 120 cm Kabel (F oder G) und verbinden Sie es mit dem Temperaturfühlerkabel (a4). Es ist zudem auch möglich, den Temperaturfühler (A2) auf der Rückseite des Heizkörpers anzubringen.</p>
<p>Ich kann den SpeedComfort (B1) nicht an einem Einzelplatten-Heizkörper befestigen.</p>	<p>Der SpeedComfort (B1) muss zwischen der Wand und dem Heizkörper angebracht werden, aber die Magnete (c1, c3) können nicht an der Wand angebracht werden, da diese nicht magnetisch ist.</p>	<p>Erwerben Sie zwei Metallplatten (D1, D2) und bringen Sie diese an der Wand an den Positionen an, an denen die SpeedComfort Magnete (c1, c3) Halt haben müssen.</p>
<p>Der SpeedComfort (B1) passt nicht zwischen die Wand und den Einzelplatten-Heizkörper.</p>	<p>Der Abstand ist meistens zu klein (weniger als 70 mm).</p>	<p>Erwerben Sie zwei Halterungen (C1, C2) und befolgen Sie die Installationsschritte für Einzelplatten-Heizkörper. Wenn der Abstand weniger als 5,5 cm beträgt, passt der SpeedComfort (B1) nicht zwischen die Platten. Setzen Sie in diesem Fall Füße (E) auf den SpeedComfort (B1) und stellen sie ihn auf den Boden unterhalb des Heizkörpers.</p>
<p>Der SpeedComfort (B1) schaltet sich nicht ein, nachdem die Verbindung mit der Steckdose hergestellt wurde.</p>	<p>Der Temperaturfühler (A2) registriert keine Temperatur von 33°C oder höher oder der SpeedComfort (B1) wird nicht mit Strom versorgt.</p>	<ul style="list-style-type: none"> • Überprüfen Sie, ob der Heizkörper eingeschaltet ist. • Überprüfen Sie, ob der Temperaturfühler (A2) direkt an oder in der Nähe der Warmwasser-Versorgungsleitung angebracht ist, wo der Heizkörper warm wird. • Überprüfen Sie, ob der Temperaturfühler (A2) ordnungsgemäßen Kontakt hat. • Falls der Heizkörper sich nicht richtig erwärmt, entlüften Sie die Heizungsanlage und denken Sie über eine hydronische Abstimmung nach. • Überprüfen Sie, ob die Steckdose funktioniert und ob der Netzadapter (A1) ordnungsgemäß eingesteckt ist.
<p>Ich kann den Temperaturfühler (A2) nicht an dem Konvektor anbringen.</p>	<p>Konvektoren aus Kupfer oder Aluminium sind nicht magnetisch.</p>	<p>Verwenden Sie das mitgelieferte Klettband (A3), um den Temperaturfühler (A2) anzubringen.</p>

Der SpeedComfort (B1) scheint die Wärmeabgabe des Heizkörpers nicht zu steigern.	Eventuell weist der SpeedComfort (B1) nach unten. Dadurch strömt die Luft in die falsche Richtung - entgegen und nicht mit dem Luftstrom.	Drehen Sie den SpeedComfort (B1) um, sodass der SpeedComfort (B1) nach oben weist. Die Oberseite ist diejenige, auf der die Ventilatoren (b7, b8, b9) mit drei weißen Schutzstreifen abgedeckt sind.
Ich spare keine 30% auf meiner Heizkostenabrechnung.	Die zentrale Heizungsanlage ist nicht ausreichend optimiert oder die Heizungsanlage funktionierte bereits vor Installation der SpeedComfort -Geräte (B1) optimal.	Optimieren Sie die zentrale Heizungsanlage (siehe Abschnitt 4.3) durch Verteilen der SpeedComfort -Geräte (B1), durch Anpassen des Temperatur-Sollwerts und durch Durchführung einer hydronischen Abstimmung. Wenn die zentrale Heizungsanlage bereits vor Installation der SpeedComfort -Geräte (B1) optimal funktioniert hat, ist es eventuell nicht möglich 30% einzusparen.
Alte Gusseisenheizungen oder Einzelplatten-Heizkörper mit Wandabstand < 55 mm.	Keiner der 4 erwähnten Heizkörpertypen.	Bringen Sie Füße (E) am SpeedComfort (B1) an und stellen sie ihn auf den Boden unterhalb des Heizkörpers.
Der SpeedComfort (B1) macht zu viel Krach, wenn er auf dem Konvektor platziert wird.	Dies können Kontaktgeräusche sein.	Achten Sie darauf, dass der SpeedComfort (B1) keine metallischen Teile berührt. Aus diesem Grund sollten auch Füße (E) angebracht werden.
Der SpeedComfort (B1) schaltet sich nicht aus, wenn der Heizkörper aus/kalt ist.	Der Temperaturfühler (A2) schaltet ihn nicht aus.	Überprüfen Sie, ob der SpeedComfort (B1) korrekt mit einem Temperaturfühler (A2) verbunden ist.

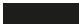
Sie können Antworten auf häufig gestellte Fragen (FAQs) unter www.speedcomfort.com finden.

7. Entsorgung

7.1. Entsorgung des Produkts



Das Symbol auf dem Produkt zeigt an, dass dieses Produkt nicht als unsortierter Abfall entsorgt werden darf, sondern an einer speziellen Sammelstelle abgegeben werden muss! Entsorgen Sie das Produkt an einer Sammelstelle für Recycling und Entsorgung von elektrischen und elektronischen Geräten, wenn

 Sie innerhalb der EU und in anderen europäischen Ländern leben, die über Systeme zur getrennten Sammlung von Elektro- und Elektronikgeräten verfügen. Mit der korrekten Entsorgung des Produkts helfen Sie, mögliche Gefahren für Umwelt und Gesundheit zu vermeiden, die durch eine unsachgemäße Behandlung von Altgeräten verursacht werden können. Die Wiederverwertung von Materialien trägt zur Erhaltung der natürlichen Ressourcen bei. Entsorgen Sie daher keine alten elektrischen und elektronischen Geräte mit dem unsortierten Hausmüll.

7.2. Entsorgung der Verpackung

Entsorgen Sie die Verpackung über ihre örtlichen Recyclingeinrichtungen. Mit der korrekten Entsorgung der Verpackungen und Verpackungsreste helfen Sie, mögliche Gefahren für Umwelt und Gesundheit zu vermeiden.

8. Glossar

Begriff	Bedeutung
Verstellbare Magnete	Dies sind die Magnete (b13, b14, c1, c2, c3, c4) am SpeedComfort (B1) und auch den Halterungen (C1, C2), die <i>leicht bewegt werden können</i> , um die gewünschte Position zu erreichen. Dies ist erforderlich, da der Abstand zwischen den Heizkörperplatten stets unterschiedlich ist.
Halterung	Dies ist die <i>Stützvorrichtung</i> , die verwendet wird, um die verstellbaren Magnete (c1, c2, c3, c4) mit dem SpeedComfort (B1) zu verbinden. Diese verstellbaren Magnete (c1, c2, c3, c4) werden benötigt, um den SpeedComfort (B1) auf einen schmalen Heizkörper aufzusetzen, da die Magnete (b10, b11, b13, b14) am SpeedComfort (B1) nicht zwischen diese Heizkörperplatten passen.
Zentrale Heizungsanlage	Eine zentrale Heizungsanlage stellt Wärme für das gesamte Innere eines Gebäudes (oder eines Gebäudeteils) <i>von einem Punkt ausgehend</i> für mehrere Räume bereit.
Konvektor	Ein Konvektor ist ein Heizkörper, bei dem heißes Wasser durch ein Rohr zirkuliert, das von <i>kleinen Lamellen</i> umgeben ist. Üblicherweise ist dies <i>in einem Konvektorgehäuse oder einem Belüftungsschacht</i> installiert. Der SpeedComfort (B1) wird mithilfe von zwei Füßen (E) oben auf einem Konvektor installiert.
Ventilator	Ein Ventilator besteht aus <i>rotierenden Ventilatorblättern</i> , die einen Luftstrom hervorrufen. Der SpeedComfort (B1) verfügt über 3 Ventilatoren.
Füße / Fuß	Die Füße (E) werden mit der Unterseite des SpeedComfort (B1) verbunden. Sie <i>erzeugen Raum</i> zwischen dem Heizkörper und dem SpeedComfort (B1).
Hydronische Abstimmung	Dies ist die <i>Justierung der zentralen Heizungsanlage</i> mithilfe der Heizungsschraube, über die Standardeinstellung des Thermostats oder ein separates Heizungsventil.
Metallplatte	Dies ist eine kleine runde Metallplatte (D), die <i>an der Wand angebracht werden muss</i> , wenn der SpeedComfort (B1) auf einem Einzelplatten-Heizkörper installiert wird. Die verstellbaren Magnete (c1, c3) finden daran Halt.
Schmaler Heizkörper	Ein Heizkörper mit einem <i>Abstand von weniger als 70 mm</i> zwischen den Heizkörperplatten.
Optimal	Am besten oder bevorzugt

Optimieren	Etwas bestmöglich oder am effizientesten nutzen
Netzadapter	Der Netzadapter (A1) <i>verbindet</i> den SpeedComfort (B1) mit der <i>Stromversorgung</i> .
Schutzstreifen	<i>Oben auf dem SpeedComfort (B1)</i> ist jeder Ventilator mit drei weißen Schutzstreifen ausgestattet. Diese müssen sich <i>oben</i> befinden, wenn der SpeedComfort (B1) installiert wird.
Einzelplatten-Heizkörper	Dies ist ein Heizkörper mit nur <i>einer Heizkörperplatte</i> . Der SpeedComfort (B1) muss zwischen der Wand und der einzelnen Platte installiert werden.
Schlitz	Hier auf der Unterseite des SpeedComfort (B1) werden die Füße (E) angebracht.
Temperaturfühler	Dieser umfasst den Fühler an sich, den temperaturempfindlichen Schalter, das Gehäuse und zwei Magnete. Er ist mit der Warmwasserversorgungsleitung des Heizkörpers verbunden und <i>schaltet den SpeedComfort (B1) automatisch ein, wenn 33°C registriert werden</i> .
Temperatur-Sollwert	Dieser bezeichnet den Temperatur-Sollwert der zentralen Heizungsanlage. Dies ist die <i>Temperatur, mit der der Kessel gesteuert wird</i> .
Steckdose	Darüber wird der Netzadapter (A1) <i>mit der Stromversorgung verbunden</i> .
Warmwasser-Versorgungsleitung	Dies ist das Rohr, das warmes Wasser zum Heizkörper leitet. Der Temperaturfühler (A2) sollte idealerweise an der Rückseite des Heizkörpers in der Nähe dieser Leitung oder an der Leitung selbst angebracht werden, da diese während des Heizkörperbetriebs immer warm ist.
Breiter Heizkörper	Dies ist ein Heizkörper, bei dem der <i>Abstand zwischen den Platten 70 mm oder mehr</i> beträgt.

Exclusion de responsabilité

SpeedComfort ne fait aucune déclaration et ne donne aucune garantie quant au présent manuel et, dans les limites autorisées par la loi, limite expressément sa responsabilité pour le cas où le remplacement de ce manuel par un autre implique un non-respect de la garantie. SpeedComfort se réserve aussi le droit de réviser cette publication à tout moment et sans préavis.

Les informations fournies dans cette documentation contiennent des descriptions générales et des caractéristiques techniques de performance des produits contenus dans ce document. Cette documentation n'est pas destinée à remplacer et ne doit pas être utilisée pour déterminer l'adéquation ou la fiabilité de ces produits à des applications utilisateur spécifiques. Il est du devoir de tout utilisateur ou installateur de procéder à l'analyse du risque, à l'évaluation et aux essais appropriés et complets des produits eu égard à leur application spécifique ou à leur utilisation. Ni SpeedComfort, ni ses sociétés affiliées ou filiales ne seront responsables de l'utilisation abusive des informations contenues dans ce document. Nous vous prions de nous transmettre vos éventuelles suggestions d'amélioration ou de modification ou les possibles erreurs contenues dans cette publication.

Toutes les réglementations de sécurité nationales, régionales et locales pertinentes doivent être respectées lors de l'installation et de l'utilisation de ce produit. Pour des raisons de sécurité et pour assurer la conformité avec les données du système documentées, seul le fabricant doit effectuer des réparations sur les composants.

Le non-respect de ces informations peut entraîner des blessures ou des dommages matériels.

Copyright © 2018 par SpeedComfort

Tous droits réservés. Aucune partie de cette publication ne peut être reproduite, distribuée ou transmise sous quelque forme ou par quelque moyen que ce soit, y compris photocopie, enregistrement ou toute autre méthode électronique ou mécanique, sans l'autorisation écrite préalable de l'éditeur. Pour des demandes d'autorisation, veuillez écrire à l'éditeur avec la mention « À l'attention du : Coordinateur des autorisations » et en utilisant l'adresse ci-dessous.

SpeedComfort

Antwoordnummer 7200

3734ZW Den Dolder

Pays-Bas

Tél. : +31 85 666 62 23

E-mail : info@speedcomfort.com

Site Web : <https://www.speedcomfort.com>

Sommaire

1.	Préface	88
1.1.	Description de l'utilisateur	88
1.2.	Conventions utilisées dans ce manuel	88
1.3.	Explication des avertissements de sécurité	88
1.4.	Conservation des instructions	88
1.5.	Obtention de la documentation et d'informations	89
2.	Description du produit	90
2.1.	Utilisation prévue et usage abusif raisonnablement prévisible	90
2.2.	Aperçu du système	90
2.3.	Données techniques	90
2.4.	Composants	92
3.	Informations relatives à la sécurité	97
3.1.	Comment utiliser le produit en toute sécurité	97
4.	Installation	99
4.1.	Sélection des composants	99
4.2.	Connexion du SpeedComfort au radiateur	100
4.3.	Optimisation du chauffage central	106
5.	Maintenance	107
5.1.	Entretien du SpeedComfort	107
6.	Dépannage	108
7.	Mise au rebut	111
7.1.	Mise au rebut du produit	111
7.2.	Élimination des déchets d'emballage	111
8.	Glossaire	112

1. Préface

1.1. Description de l'utilisateur

Ce manuel d'installation est destiné à l'utilisateur final, au propriétaire en général, qui souhaite installer un ou plusieurs SpeedComfort sur les radiateurs de son domicile. L'utilisateur n'a pas besoin d'être qualifié, formé ou certifié pour installer le SpeedComfort.

1.2. Conventions utilisées dans ce manuel

Les conventions de style suivantes sont utilisées dans ce document :

Gras

Noms des éléments du produit

Italique

Emphase (par exemple, un nouveau terme)

1.3. Explication des avertissements de sécurité

ATTENTION

Attention indique un danger avec un niveau faible de risque qui, s'il n'est pas évité, peut entraîner des blessures mineures ou modérées.

REMARQUE

Une remarque donne une information jugée importante, mais non liée à un danger.

1.4. Conservation des instructions

Avant utilisation de ce produit, le manuel et ses consignes de sécurité doivent être lus et compris.

Suivez toutes les instructions. Le respect des instructions permet d'éviter les incendies, les explosions, les chocs électriques ou autres dangers pouvant entraîner des dommages aux biens et/ou des blessures.

Le produit ne doit être utilisé que par des personnes qui ont entièrement lu et compris le contenu du présent manuel de l'utilisateur.

Assurez-vous que chaque personne qui utilise le produit ait lu ces avertissements et instructions et les respecte.

Conservez toutes les instructions et les informations relatives à la sécurité pour pouvoir les consulter ultérieurement et transmettez-les aux futurs utilisateurs du produit.

Le fabricant décline toute responsabilité en cas de dommages matériels ou corporels causés par une mauvaise manipulation ou un non-respect des consignes de sécurité. Ces incidents entraînent une annulation de la garantie.

1.5. Obtention de la documentation et d'informations

1.5.1. Internet

La dernière version de la documentation est disponible à l'adresse suivante :

<https://www.speedcomfort.nl/home/speedcomfort-manual/>

1.5.2. Commande de documentation

Vous pouvez commander la documentation, les instructions d'utilisation et les informations techniques en appelant SpeedComfort au +31 85 666 62 23.

1.5.3. Commentaires sur la documentation

Si vous lisez la documentation produit de **SpeedComfort** sur Internet, vous pouvez envoyer vos commentaires sur le site Web d'assistance. Les commentaires peuvent également être envoyés à info@speedcomfort.com.

Vos commentaires seront les bienvenus.

1.5.4. Assistance et service

Pour toute information, questions, assistance technique, service ou instructions d'utilisation, veuillez contacter :

SpeedComfort

Antwoordnummer 7200

3734ZW Den Dolder

Pays-Bas

Tél. : +31 85 666 62 23

Site Web : <https://www.speedcomfort.com>

SpeedComfort est également très intéressé à l'idée de savoir ce que vous avez pensé du produit. Envoyez-nous un e-mail pour nous en parler : ervaringen@speedcomfort.com.

2. Description du produit

2.1. Utilisation prévue et usage abusif raisonnablement prévisible

Le SpeedComfort est destiné à être utilisé comme un ventilateur conçu pour être fixé à un radiateur connecté au système de chauffage central. Le SpeedComfort est conçu pour tirer de la chaleur du radiateur et ainsi aider à chauffer la pièce plus efficacement.

Le produit ne doit être utilisé que conformément aux instructions décrites dans le présent manuel. Toute utilisation autre que celle décrite dans le présent manuel est considérée comme une utilisation non prévue. Le non-respect de l'utilisation prévue annule également la garantie.

2.2. Aperçu du système

Ce produit contient plusieurs composants formant un système. Le SpeedComfort est l'élément principal. Le SpeedComfort est connecté à un adaptateur secteur et à un capteur de température. Pour un *radiateur large* (plaques espacées de plus de 70 mm), seuls ces éléments sont nécessaires, sauf pour certains câbles optionnels. Les autres types de radiateurs sur lesquels le SpeedComfort peut être installé nécessitent des composants supplémentaires :

- Un *radiateur étroit* (plaques entre 38 mm et 70 mm) nécessite deux supports (pack C)
- Un *radiateur à plaque unique* (à plus de 55 mm du mur) nécessite deux plaques (pack D)
- Un *convecteur* nécessite deux pieds (pack E)

Des SpeedComfort supplémentaires peuvent être connectés entre eux avec des câbles (30 cm, 60 cm ou 120 cm). Ces câbles peuvent également être utilisés pour déployer les câbles de l'adaptateur secteur ou du capteur de température.

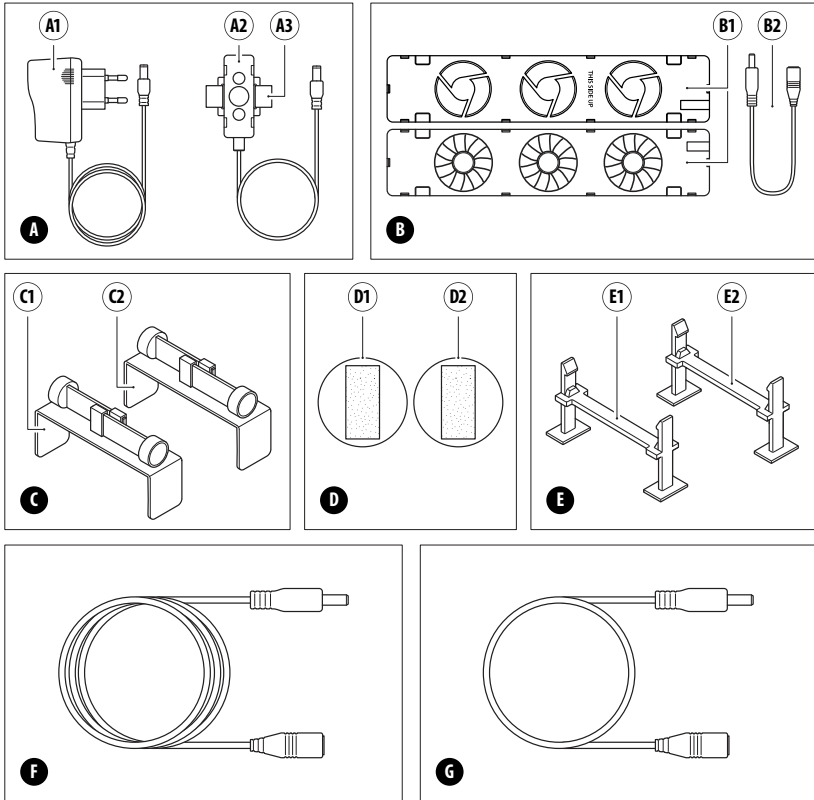
2.3. Données techniques

Paramètre	Unité
-----------	-------

Nom du produit	SpeedComfort
Durée de vie technique : SpeedComfort	10 ans
Durée de vie technique : Adaptateur secteur	2 ans
Puissance	0,55 W
Consommation d'énergie annuelle	< 1 kWh
Niveau sonore	< 20 dB(A)
Flux d'air	30 m ³
Largeur	70 mm
Sortie	12 V/CC
Alimentation électrique	100-240 V ; 0,25 A 230 VCA
Plage de température de fonctionnement	De -20°C à +85°C
Plage de température de stockage	De -40°C à +85°C
Humidité relative pendant l'utilisation et le stockage	80 % max. (sans condensation)

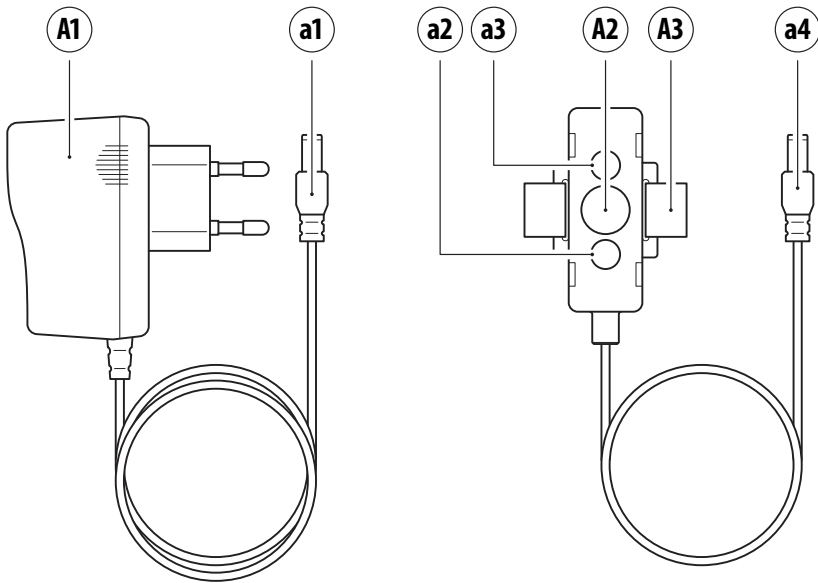
2.4. Composants

2.4.1. Principaux composants par emballage



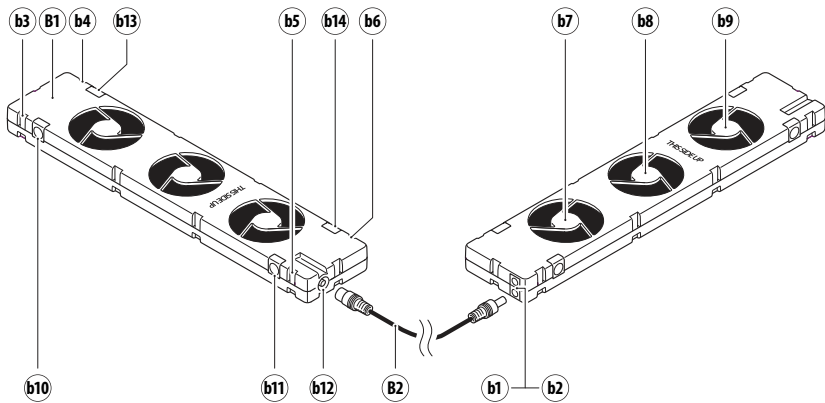
- A. Adaptateur secteur (A1) + capteur de température (A2) (avec Velcro (A3))
- B. SpeedComfort (B1) + câble de 30 cm (B2)
- C. 2 supports (C1 et C2)
- D. 2 plaques métalliques (D1 et D2)
- E. 2 pieds (E1 et E2)
- F. Câble de 60 cm
- G. Câble de 120 cm

2.4.2. Pack A : Adaptateur secteur et capteur de température



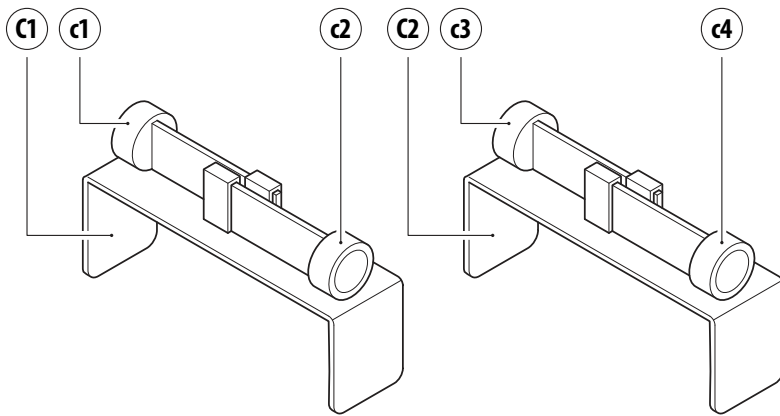
- a1. Câble d'adaptateur secteur
- A1. Adaptateur secteur
- A2. Capteur de température
- a2. Aimant
- a3. Aimant
- A3. Velcro
- a4. Câble de capteur de température

2.4.3. Pack B : SpeedComfort et câble



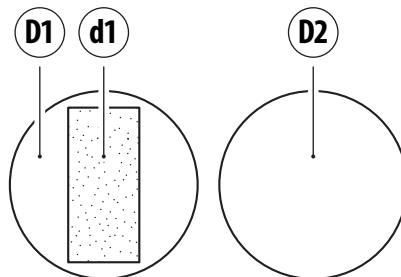
- B1. SpeedComfort
- b1. Connecteur femelle
- b2. Connecteur femelle
- b3. Fente pour fixer le support ou le pied
- b4. Fente pour fixer le support ou le pied
- b5. Fente pour fixer le support ou le pied
- b6. Fente pour fixer le support ou le pied
- b7. Ventilateur
- b8. Ventilateur
- b9. Ventilateur
- b10. Aimant
- b11. Aimant
- b12. Connecteur mâle
- b13. Aimant réglable
- b14. Aimant réglable
- B2. Câble de 30 cm

2.4.4. Pack C : Supports



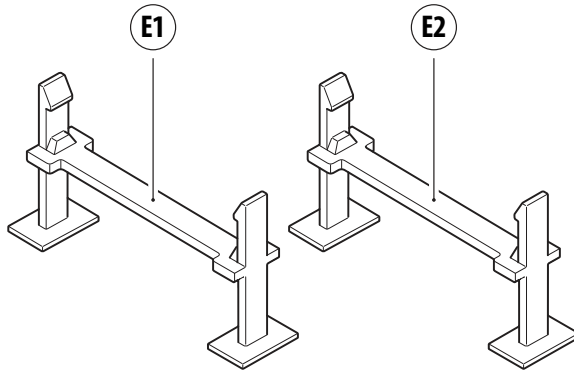
- C1. Support
- c1. Aimant réglable
- C2. Support
- c2. Aimant réglable
- c3. Aimant réglable
- c4. Aimant réglable

2.4.5. Pack D : Plaques métalliques



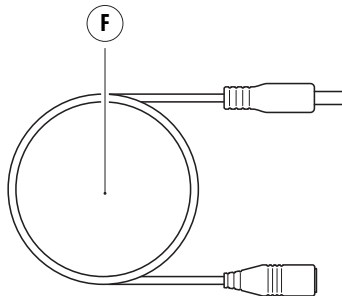
- D1. Plaque métallique
- d1. Adhésif
- D2. Plaque métallique

2.4.6. Pack E : Pieds

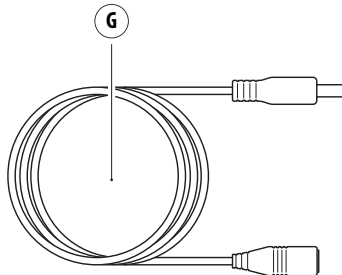


- E1. Pied
- E2. Pied

2.4.7. Pack F : Câble de 60 cm



2.4.8. Pack G : Câble de 120 cm



3. Informations relatives à la sécurité

ATTENTION

Lisez et comprenez ce manuel et ses consignes de sécurité avant d'utiliser le SpeedComfort et les composants correspondants.

3.1. Comment utiliser le produit en toute sécurité

3.1.1. Informations de sécurité pour les personnes vulnérables

- Ne laissez jamais des enfants seuls avec un matériau d'emballage. Risque d'asphyxie.
- Les enfants ne doivent pas jouer avec le produit. Cet produit n'est pas un jouet.
- N'installez pas le produit si vous avez des capacités physiques, sensorielles ou mentales réduites.
- Veillez à ce que les personnes (y compris des enfants) ayant des capacités physiques, sensorielles ou mentales réduites ne puissent pas installer le produit.

3.1.2. Informations de sécurité liées à l'utilisation prévue

- Utilisez ce produit uniquement comme ventilateur de radiateur en le fixant à un radiateur. Suivez les instructions de ce manuel pour ce faire.

3.1.3. Limites et restrictions du produit

- N'utilisez pas d'objets pointus à proximité des ventilateurs.
- Gardez le produit éloigné d'un feu ouvert, de fers à souder ou d'autres outils chauds. Vous risqueriez d'endommager le produit.

3.1.4. Informations relatives à l'installation

- Soulevez, manipulez et transportez très délicatement le produit.
- Soyez vigilant et prudent lorsque vous installez un produit électrique. N'installez pas le produit si vous ne pouvez pas vraiment vous concentrer ou si vous risquez de perdre conscience ou si vous êtes sous l'influence de médicaments, d'alcool ou de drogues.
- Avant de connecter l'adaptateur secteur à la prise murale, assurez-vous que la tension sur place corresponde à celle indiquée sur le produit. La tension maximale admissible est de 230 V.
- Branchez le produit sur une prise secteur correctement installée et facilement accessible. Assurez-vous que le produit puisse être débranché de la prise secteur à tout moment.

3.1.5. Informations de sécurité concernant l'utilisation

- N'utilisez jamais le produit à l'extérieur. Le produit est destiné uniquement à un usage intérieur.
- Avant d'installer le produit, vérifiez que les composants ne sont pas endommagés (y compris les câbles). Retirez immédiatement l'adaptateur secteur de la prise murale en cas de dommages visibles, d'odeurs fortes ou de surchauffe des composants.

3.1.6. Informations de sécurité concernant la maintenance

- Ne jamais toucher le produit ou l'adaptateur secteur avec des mains mouillées.
- Conservez le produit à l'écart de l'humidité. Soyez prudent lorsque vous nettoyez le produit ou le radiateur auquel il est fixé. Assurez-vous que de l'eau n'entre pas dans le produit par les ventilateurs.

3.1.7. Informations de sécurité sur le service et la réparation

- N'essayez pas d'ouvrir, de modifier ou de réparer le produit. Il est interdit d'altérer ou de modifier ce produit. Vous perdrez sinon la garantie.

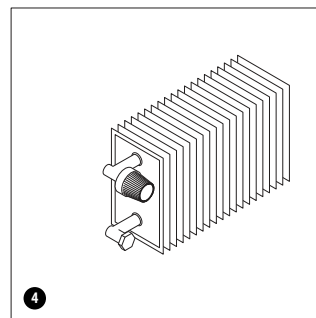
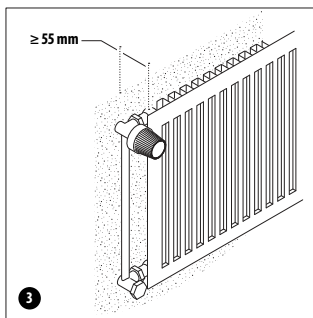
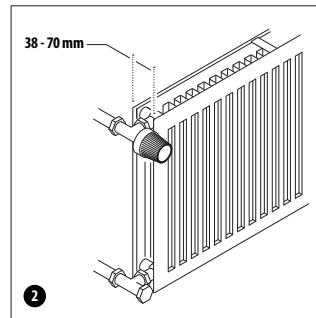
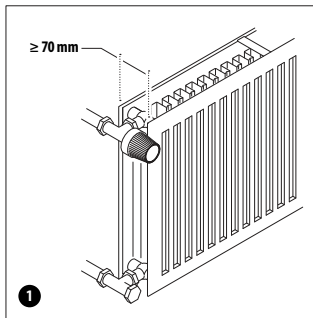
4. Installation

4.1. Sélection des composants

Le SpeedComfort peut être installé sur différents types de radiateurs. Chaque type de radiateur nécessite son propre mode d'installation. Selon le type de radiateurs de votre maison, vous devez vous assurer d'avoir les bons composants.

Pour sélectionner les composants :

1. Déterminez les types de radiateurs sur lesquels vous souhaitez installer le **SpeedComfort**.



- 1 Les radiateurs larges sont des radiateurs dont la distance entre les plaques est de 70 mm ou plus.
- 2 Les radiateurs étroits sont des radiateurs où la distance entre les plaques se situe entre 38 mm et 70 mm.
- 3 Les radiateurs à plaque unique sont des radiateurs équipés de seulement une plaque. La distance entre le mur et la plaque doit être d'au moins 55 mm.

- 4 Les convecteurs sont des radiateurs où l'eau chaude circule à travers un tube entouré de petites ailettes. Il est normalement installé à l'intérieur d'un boîtier convecteur ou d'un conduit de ventilation.
2. Sélectionnez les composants requis pour vos types de radiateurs comme indiqué dans le tableau 1. **REMARQUE** Pour un salon moyen, vous avez besoin de 3 à 5 SpeedComfort (pack B) équipés des composants correspondants. Utilisez les composants F et G (câbles de 60 et 120 cm) si des câbles plus longs sont requis.

Type de radiateur	Composants
Large (plaques ≥ 70 mm d'écart)	A et B
Étroite (plaques ≥ 38 mm et < 70 mm d'écart)	A, B et C
Plaque unique (plaque ≥ 55 mm du mur)	A, B, C et D
Convecteur	A, B et E

Tableau 1 - Composants par type de radiateur

4.2. Connexion du SpeedComfort au radiateur

Le SpeedComfort peut être installé sur différents types de radiateurs. Chaque type de radiateur nécessite son propre mode d'installation. Après avoir sélectionné les composants spécifiques d'un type de radiateur, suivez ainsi les étapes d'installation spécifiques à ce type de radiateur.

4.2.1. Connexion du SpeedComfort à un radiateur large (plaques ≥ 70 mm d'écart)

1. Assurez-vous que le **SpeedComfort** (B1) soit orienté vers le haut et que les **connecteurs femelles** (b1, b2) pointent vers la prise murale (voir fig. 1).

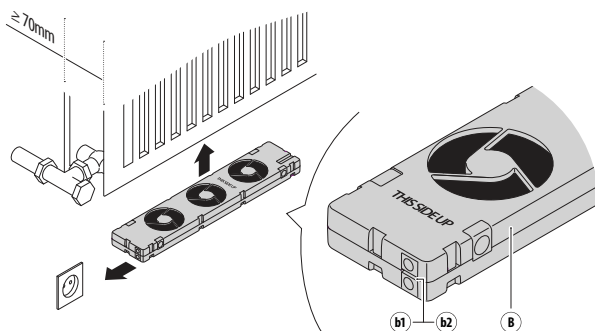


Fig. 1 - Positionnement du SpeedComfort (B1).

- Identifiez un espace où les supports muraux du radiateur et les clips de connexion ne gênent pas. Fixez le **SpeedComfort** (B1) en bas entre les plaques du radiateur avec les **aimants réglables** (b13, b14) (voir fig. 2). Le **SpeedComfort** (B1) peut également être fixé sur le radiateur et sous un couvercle. **REMARQUE** Assurez-vous que les **ventilateurs** (b7, b8, b9) soient toujours orientés vers le haut !

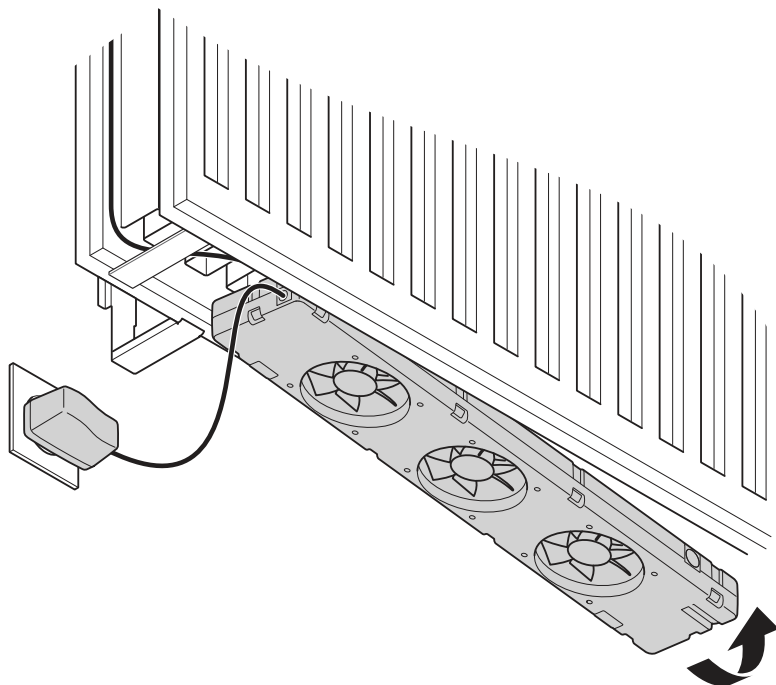


Fig. 2 - Fixation du SpeedComfort (B1).

- Connectez le **câble du capteur de température** (a4) à l'un des **connecteurs femelles** (b1 ou b2) du **SpeedComfort** (B1).
- Fixez le **capteur de température** (A2) avec ses aimants (a2, a3) à l'arrière du radiateur, à proximité du tuyau d'alimentation en eau chaude ou sur le tuyau lui-même (voir fig. 3).

5. Connectez l'**adaptateur secteur** (A1) au **connecteur femelle** restant (b1 ou b2) et à la prise murale (voir fig. 3).

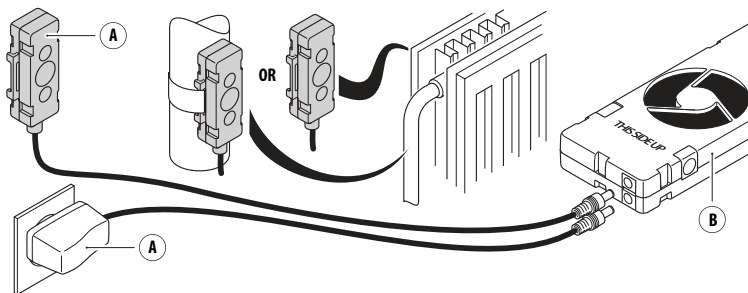


Fig. 3 - Connexion de l'adaptateur secteur (A1) et du capteur de température (A2).

6. Sur les radiateurs longs, connectez d'autres **SpeedComfort** (B1) avec des câbles de **raccordement de 30 cm** (B2) (voir fig. 4). Plusieurs **SpeedComfort** (B1) peuvent être connectés à un **adaptateur d'alimentation** (A1). Aucun **capteur de température** supplémentaire (A2) n'est nécessaire.

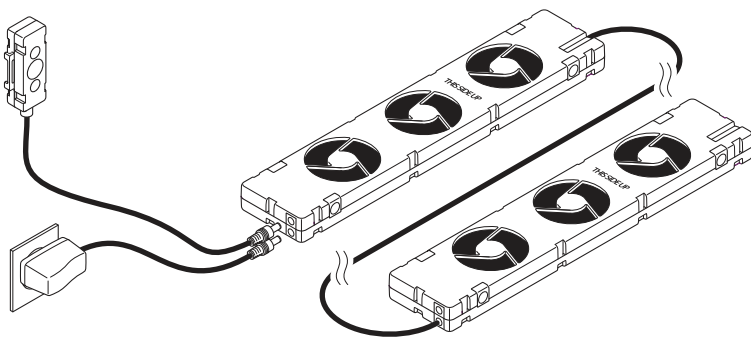


Fig. 4 - Connexion d'autres SpeedComfort (B1).

7. Mettez en marche votre système de chauffage central. Attendez que le **SpeedComfort** (B1) s'allume automatiquement. Ce délai d'attente se produit lorsque la température du radiateur dépasse 33°C. Il se coupe automatiquement lorsque le radiateur refroidit jusqu'à 25°C.

4.2.2. Connexion du SpeedComfort à un radiateur étroit (plaques ≥ 38 mm et < 70 mm d'écart)

1. Connectez les deux supports (C1, C2) sur le SpeedComfort (B1) (voir fig. 5).
2. Refaites les étapes 1 à 7 comme pour le radiateur large. Utilisez les aimants réglables (c1, c2, c3, c4) sur les supports (C1, C2) pour accrocher le SpeedComfort (B1) entre les plaques (voir fig. 5 et 6). Alignez le SpeedComfort (B1) sur l'avant du radiateur pour optimiser la ventilation.

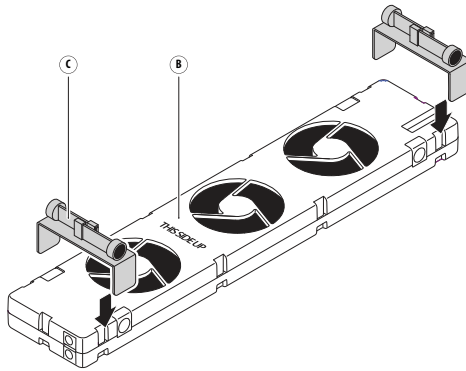


Fig. 5 - Fixation du support au SpeedComfort (B1).

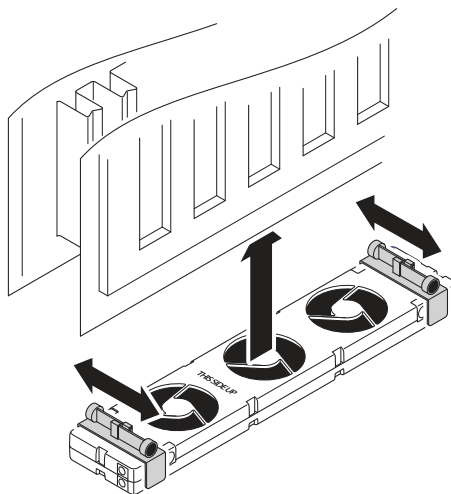


Fig. 6 - Accrochage du SpeedComfort (B1) entre les plaques du radiateur.

4.2.3. Connexion du SpeedComfort à un radiateur à plaque unique (plaque ≥ 55 mm du mur)

1. Connectez les deux **soutiens** (C1, C2) sur le **SpeedComfort** (B1) (voir fig. 5).
2. Refaites les étapes 1 à 7 comme pour le radiateur large. À l'endroit identifié, collez les deux **plaques métalliques** (D1, D2) sur le mur. Utilisez les **aimants réglables** (c1, c2, c3, c4) sur les **soutiens** (C1, C2) pour connecter le **SpeedComfort** (B1) au mur et au radiateur à plaque unique (voir fig. 7).

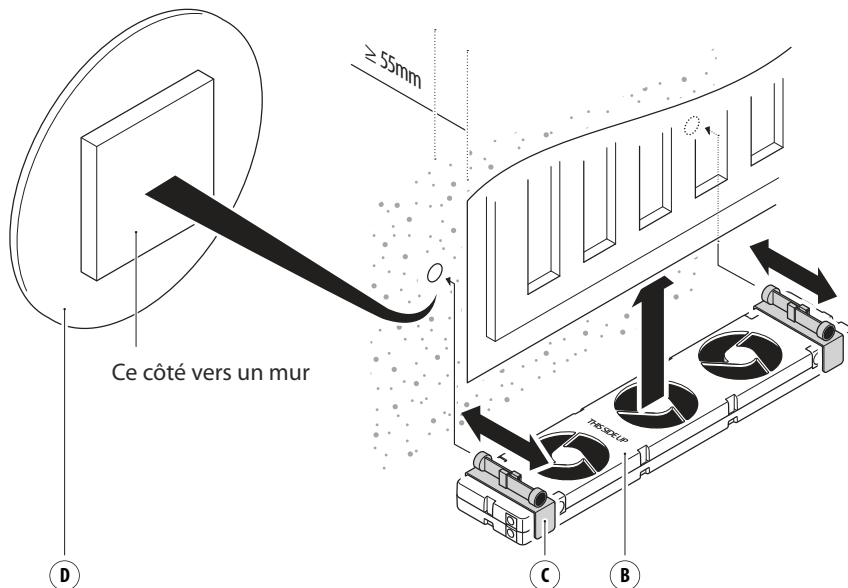


Fig. 7 - Fixation du SpeedComfort (B1) au mur et au radiateur à plaque unique.

4.2.4. Connexion du SpeedComfort à un convecteur

1. Fixez les **pieds** (E1, E2) au **SpeedComfort** (B1) en les clipsant dans les **fentes** (b3, b4) (voir fig. 8).
2. Assurez-vous que le **SpeedComfort** (B1) soit orienté vers le haut et que les **connecteurs femelles** (b1, b2) pointent vers la prise murale (voir fig. 9).
3. Placez le **SpeedComfort** (B1) sur le haut du convecteur et laissez de l'espace entre les côtés du convecteur et le **SpeedComfort** (B1) pour réduire le bruit (voir fig. 9). Le SpeedComfort peut également être placé sur le sol en-dessous du convecteur (en cas d'espace suffisant).
4. Refaites les étapes 3 à 7 comme pour le radiateur large. Utilisez le **Velcro** (A3) pour attacher le **capteur de température** (A2) à un matériau non magnétique. Assurez-vous que le **SpeedComfort** (B1) ne touche aucune pièce métallique afin d'éviter des bruits de contact.

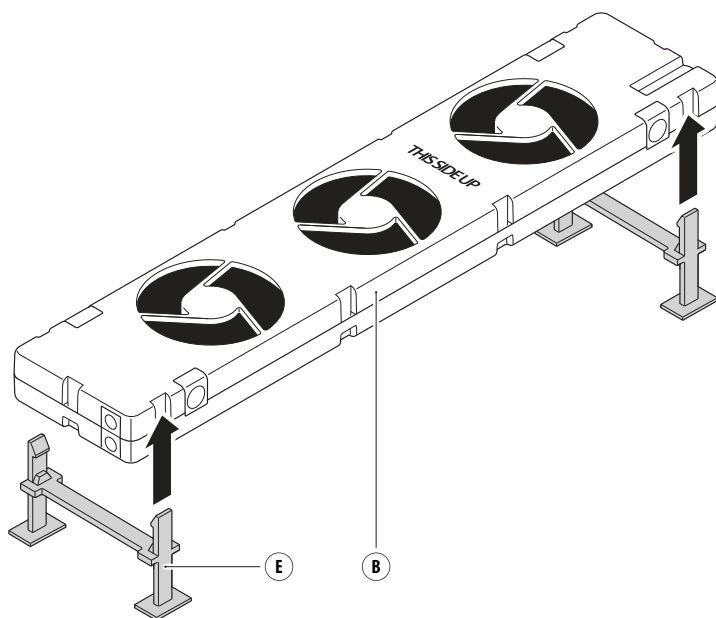


Fig. 8 - Fixation d'un pied (E1 ou E2).

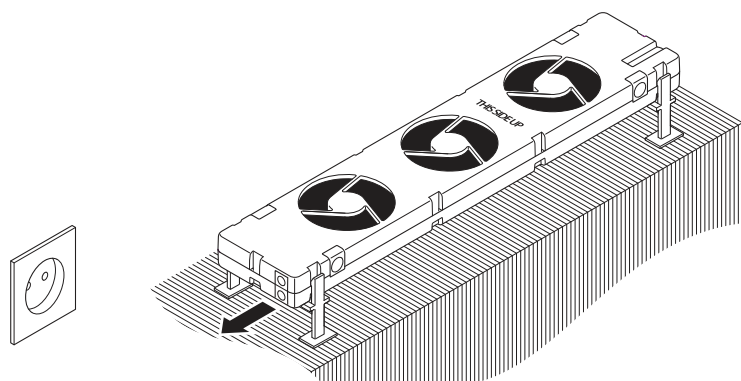


Fig. 9 - Positionnement du **SpeedComfort** (B1) sur le convecteur.

4.3. Optimisation du chauffage central

Le SpeedComfort tire la chaleur du radiateur, chauffant la pièce plus rapidement et plus uniformément. Ce système permet de réduire jusqu'à 30 % la consommation d'énergie dans votre maison. Pour faire ces économies, quelques éléments doivent être toutefois optimisés : Les SpeedComfort doivent être répartis dans toute la maison ; la consigne de température du chauffage central doit être abaissée, et le système de chauffage central doit être équilibré hydroniquement.

4.3.1. Répartition des SpeedComfort

1. Installez 3 à 5 **SpeedComfort** (B1) (avec les composants correspondants) dans un salon (moyen).
2. Installez un **SpeedComfort** (B1) dans toutes les pièces régulièrement utilisées.

Ce type d'installation permet à l'air de la pièce de circuler entièrement une fois par heure ; un SpeedComfort circule en effet à 30 m³/h.

4.3.2. Abaissement du point de consigne de la température

1. Abaissez manuellement la température de consigne du chauffage central à au moins 60°C. Reportez-vous au manuel de votre système de chauffage central ou demandez à votre technicien. Si vous préférez, cette diminution peut être réalisée par petites étapes et permet de trouver le point de consigne optimal. Un point de consigne inférieur économise plus d'énergie.
2. Assurez-vous que votre technicien de service de chauffage central ne revienne pas aux réglages d'usine (75 - 90°C).

Le **SpeedComfort** tire la chaleur du radiateur, chauffant la pièce plus rapidement. La chaudière peut donc s'arrêter plus tôt, économisant ainsi de l'énergie.

4.3.3. Équilibrage hydronique

Équilibrez le système de chauffage central en utilisant la vis du radiateur, le réglage du thermostat standard ou bien une vanne de radiateur séparée. **ATTENTION !** Demandez au technicien d'entretien du chauffage central de vous aider à effectuer l'équilibrage hydronique du système de chauffage central. Cette procédure n'est pas standard et nécessite une expertise.

L'équilibrage hydronique optimise la distribution de l'eau dans un circuit de chauffage. Il est nécessaire car il permet d'utiliser efficacement l'énergie et garantit que les températures ambiantes ne varient pas.

Pour en savoir plus sur l'économie d'énergie et la réduction des pertes, visitez www.speedcomfort.com.

5. Maintenance

5.1. Entretien du SpeedComfort

5.1.1. Nettoyage du produit

Le SpeedComfort et les composants correspondants peuvent être nettoyés si nécessaire.

Pour nettoyer le produit :

1. Nettoyez le produit avec un aspirateur lorsqu'il est sale. **ATTENTION !** Assurez-vous d'utiliser l'aspirateur avec le réglage de puissance le plus bas.
2. Nettoyez le produit avec un chiffon humide uniquement si nécessaire. **ATTENTION !** Assurez-vous que l'eau n'entre pas dans le SpeedComfort à travers les ventilateurs.

5.1.2. Remplacer des composants

Les composants défectueux doivent être remplacés. **ATTENTION !** N'essayez pas d'ouvrir, de modifier ou de réparer le produit.

Remplacement des composants :

1. Échangez les composants cassés toujours sous garantie chez le fournisseur. Le SpeedComfort est garanti dix ans et l'adaptateur d'alimentation, 2 ans. **REMARQUE** Pour des raisons de sécurité et de contrôle (CE), toute altération ou modification de ce produit est interdite.
2. Éliminez les composants cassés qui ne sont pas sous garantie et achetez des composants neufs.

6. Dépannage

Problème	Cause	Solution
Le SpeedComfort (B1) ne peut se loger entre les plaques du radiateur.	Le radiateur est étroit.	Achetez deux supports (C1, C2) et suivez les étapes d'installation d'un radiateur étroit.
Le SpeedComfort (B1) ne rentre pas au bas du radiateur.	Il y a trop peu d'espace.	Fixez le SpeedComfort (B1) sur le dessus du radiateur. Les performances du produit n'en seront pas altérées. Le bas n'est préférable que parce qu'il est moins visible. Assurez-vous que le SpeedComfort (B1) soit toujours orienté vers le haut.
Le SpeedComfort (B1) doit être fixé en haut du radiateur, mais le radiateur a un couvercle.	s.o.	Fixez le SpeedComfort (B1) sous le couvercle. Gardez à l'esprit que cette installation expose le SpeedComfort (B1) à des températures plus élevées, ce qui peut limiter légèrement sa durée de vie
Impossible de régler les aimants (b10, b11, b13, b14) sur le SpeedComfort .	Seuls deux des quatre aimants (b13, b14) sont réglables.	Utilisez les deux aimants réglables (b13, b14).
Impossible de connecter le SpeedComfort (B1) à la prise murale.	Le SpeedComfort (B1) a été placé avec les deux connexions femelles (b1, b2) du mauvais côté ou le câble de l'adaptateur d'alimentation (a1) n'est pas assez long.	Tournez le SpeedComfort (B1) afin que les deux connexions femelles (b1, b2) soient orientées dans l'autre sens ou achetez et connectez le câble de l'adaptateur secteur (a1) à un câble plus long (F ou G).
Impossible de connecter deux SpeedComfort (B1) avec le câble de 30 cm fourni (B2).	La distance est trop grande/Le câble est trop court.	Achetez un câble supplémentaire de 60 cm ou 120 cm (F ou G) pour connecter les SpeedComfort (B1).
Le capteur de température (A2) ne peut pas atteindre le tuyau d'arrivée d'eau chaude.	Le câble du capteur de température (a4) est trop court.	Achetez un câble supplémentaire de 60 cm ou 120 cm (F ou G) et connectez le câble du capteur de température (a4). Sinon, le capteur de température (A2) peut également être fixé à l'arrière du radiateur.

<p>Impossible de fixer le SpeedComfort (B1) au radiateur à plaque unique.</p>	<p>Le SpeedComfort (B1) doit être fixé entre le mur et le radiateur, mais les aimants (c1, c3) ne peuvent pas être fixés au mur car ils ne sont pas magnétiques.</p>	<p>Achetez deux plaques métalliques (D1, D2) et fixez-les au mur à l'endroit où les aimants SpeedComfort (c1, c3) doivent être fixés.</p>
<p>Impossible d'installer le SpeedComfort (B1) entre le mur et le radiateur à plaque unique.</p>	<p>L'espace est généralement trop petit (moins de 70 mm).</p>	<p>Achetez deux soutiens (C1, C2) et suivez les étapes d'installation du radiateur à plaque unique. Si l'espace est inférieur à 5,5 cm, le SpeedComfort (B1) ne pourra pas se loger entre les plaques. Dans ce cas, fixez les pièdes (E) sur le SpeedComfort (B1) et placez-les au sol sous le radiateur.</p>
<p>Le SpeedComfort (B1) ne s'est pas allumé après avoir été connecté à la prise murale.</p>	<p>Le capteur de température (A2) n'enregistre pas 33°C ou plus ou le SpeedComfort (B1) n'est pas alimenté en électricité.</p>	<ul style="list-style-type: none"> • Assurez-vous que le radiateur soit sous tension. • Assurez-vous que le capteur de température (A2) soit fixé au tuyau d'arrivée d'eau chaude ou à proximité de ce tuyau sur le radiateur où il chauffe. • Assurez-vous que le capteur de température (A2) fasse un bon contact. • Si le radiateur ne chauffe pas correctement, purgez le circuit de chauffage central et envisagez un équilibrage hydronique. • Assurez-vous que la prise murale fonctionne et que l'adaptateur secteur (A1) soit correctement inséré.
<p>Impossible de fixer le capteur de température (A2) sur le convecteur.</p>	<p>Les convecteurs fabriqués en cuivre ou en aluminium ne sont pas magnétiques.</p>	<p>Utilisez le Velcro fourni (A3) pour fixer le capteur de température (A2).</p>
<p>Le SpeedComfort (B1) ne semble pas augmenter la puissance calorifique du radiateur.</p>	<p>Il se peut que le SpeedComfort (B1) soit orienté vers le bas. Ce positionnement provoque un écoulement de l'air dans la mauvaise direction ; contre le flux plutôt qu'avec le flux.</p>	<p>Tournez le SpeedComfort (B1) pour que le SpeedComfort (B1) soit orienté vers le haut. Le haut est le côté où les ventilateurs (b7, b8, b9) sont couverts de trois bandes de protection blanches.</p>

<p>Économie de moins de 30 % sur la facture d'énergie.</p>	<p>Le système de chauffage central n'est pas suffisamment optimisé ou le système de chauffage central fonctionnait de manière optimale avant l'installation du SpeedComfort (B1).</p>	<p>Optimisez le système de chauffage central (voir section 4.3) en répartissant les SpeedComfort (B1), en ajustant la consigne de température et en assurant un équilibrage hydronique. Si le système de chauffage central fonctionne de manière optimale avant l'installation du SpeedComfort (B1), les 30% d'économies d'énergie risquent de ne pas être réalisés.</p>
<p>Radiateur en fonte ancien ou radiateur à plaque unique avec plaque < 55 mm du mur.</p>	<p>Pas l'un des 4 types de radiateurs mentionnés.</p>	<p>Fixez les pieds (E) sur le SpeedComfort (B1) et placez-les au sol sous le radiateur.</p>
<p>Le SpeedComfort (B1) fait trop de bruit lorsqu'il est placé sur le convecteur.</p>	<p>Ce problème peut être dû à un bruit de contact.</p>	<p>Assurez-vous que le SpeedComfort (B1) ne touche aucune pièce métallique. Les pieds (E) doivent donc être également fixés.</p>
<p>Le SpeedComfort (B1) ne se met pas hors tension lorsque le radiateur est hors tension/froid.</p>	<p>Le capteur de température (A2) ne le met pas hors tension.</p>	<p>Assurez-vous que le SpeedComfort (B1) soit correctement connecté à un capteur de température (A2).</p>

Vous pouvez trouver des réponses aux questions fréquemment posées (FAQ) sur www.speedcomfort.com.

7. Mise au rebut

7.1. Mise au rebut du produit



Le symbole sur le produit indique que ce produit ne doit pas être traité comme des déchets municipaux non triés, mais doit être collecté séparément ! Jetez le produit via un point de recyclage d'équipements électriques et électroniques usagés si vous vivez dans l'UE et d'autres pays européens qui exploitent des systèmes de collecte séparés destinés aux équipements électriques et électroniques usagés. En jetant le produit de manière appropriée, vous contribuez à protéger l'environnement et la santé publique des dangers liés à un traitement inadéquat des équipements usagés. Le recyclage des matériaux contribue à la préservation des ressources naturelles. Par conséquent, ne jetez pas vos équipements électriques et électroniques avec les déchets municipaux non triés.

7.2. Élimination des déchets d'emballage

Jetez l'emballage via vos installations de recyclage locales. En jetant l'emballage et les déchets d'emballage de manière appropriée, vous contribuez à éviter des risques éventuels pour l'environnement et la santé publique.

8. Glossaire

Terme	Signification
Aimants réglables	Aimants (b13, b14, c1, c2, c3, c4) présents à la fois sur le SpeedComfort (B1) et sur les supports (C1, C2) qui <i>peuvent être légèrement déplacés</i> pour obtenir l'ajustement désiré. Ce déplacement i est nécessaire car la distance entre toutes les plaques de radiateur varie.
Support	<i>Support</i> utilisé pour connecter les aimants réglables (c1, c2, c3, c4) au SpeedComfort (B1). Ces aimants réglables (c1, c2, c3, c4) sont nécessaires pour fixer le SpeedComfort (B1) à un radiateur étroit, car les aimants (b10, b11, b13, b14) du SpeedComfort (B1) ne peuvent pas se loger entre ces plaques de radiateur.
Système de chauffage central	Système de chauffage central fournissant de la chaleur à tout l'intérieur d'un bâtiment (ou d'une partie d'un bâtiment) <i>d'un point</i> vers plusieurs pièces.
Convecteur	Radiateur où l'eau chaude circule à travers un tube entouré de <i>petites ailettes</i> . Un convecteur s'installe normalement à l'intérieur d'un boîtier de convecteur ou d'un conduit de ventilation. Le SpeedComfort (B1) est placé sur un convecteur en utilisant deux pieds (E).
Ventilateur	Un ventilateur consiste en des <i>lames rotatives</i> qui font circuler l'air. Le SpeedComfort (B1) a 3 ventilateurs.
Pieds / Pied	Les pieds (E) sont connectés sur le bas du SpeedComfort (B1). Ils <i>créent un espace</i> entre le convecteur et le SpeedComfort (B1).
Équilibrage hydronique	<i>Équilibrage du système de chauffage central utilisant soit la vis du radiateur, soit le réglage standard du thermostat, ou encore une vanne de radiateur séparée.</i>
Plaque métallique	Petite plaque métallique ronde (D) qui doit être <i>fixée au mur</i> lorsque le SpeedComfort (B1) est installé sur un radiateur à plaque unique. Les aimants réglables (c1, c3) peuvent s'y fixer.
Radiateur étroit	Radiateur avec une <i>distance de moins de 70 mm</i> entre ses plaques.
Optimal	meilleur ou le plus favorable
Optimiser	faire le meilleur ou l'usage le plus efficace de
Adaptateur secteur	L' adaptateur secteur (A1) <i>connecte</i> le SpeedComfort (B1) à l'alimentation électrique.

Bandes de protection	<i>Sur le dessus du SpeedComfort (B1), chacun des ventilateurs a trois bandes blanches protectrices. Celles-ci doivent être sur le dessus lorsque le SpeedComfort (B1) est installé.</i>
Radiateur à plaque unique	Radiateur avec <i>une seule plaque</i> . Le SpeedComfort (B1) doit être fixé entre le mur et la plaque unique.
Fente	Endroit sur le bas du SpeedComfort (B1) où les pieds (E) peuvent être fixés.
Capteur de température	Il inclut le capteur, l'interrupteur sensible à la température, le boîtier et deux aimants. Il est fixé au tuyau d'arrivée d'eau chaude du radiateur et <i>commute automatiquement le SpeedComfort (B1) quand il enregistre 33°C.</i>
Température de consigne	Désigne la consigne de température du système de chauffage central. C'est la <i>température à laquelle la chaudière est contrôlée.</i>
Prise murale	Elle permet à l' adaptateur secteur (A1) de se connecter à l'alimentation électrique.
Tuyau d'arrivée d'eau chaude	Il s'agit du tuyau qui fournit de l'eau chaude au radiateur. Le capteur de température (A2) doit idéalement être connecté à l'arrière du radiateur, à proximité de ce tuyau ou sur le tuyau lui-même, car celui-ci est toujours chaud lorsque le radiateur fonctionne.
Radiateur large	Radiateur où la <i>distance entre les plaques est de 70 mm ou plus.</i>

Disclaimer

SpeedComfort doet geen toezeggingen en geeft geen garanties af met betrekking tot deze handleiding en beperkt, voor zover maximaal wettelijk toegestaan, uitdrukkelijk haar aansprakelijkheid voor het niet nakomen van enige garantie als gevolg van de vervanging van deze handleiding door een andere. Bovendien behoudt SpeedComfort zich het recht voor om deze publicatie te allen tijde te herzien zonder de verplichting iemand op de hoogte te stellen van de herziening.

De informatie in deze documentatie bevat algemene beschrijvingen en technische eigenschappen van de prestaties van de in deze documentatie vermelde producten. Deze documentatie is niet bedoeld als vervanging voor en mag niet worden gebruikt om de geschiktheid of betrouwbaarheid van deze producten te bepalen voor specifieke gebruikerstoepassingen. Het is de plicht van een dergelijke gebruiker of installateur om - met betrekking tot de relevante specifieke toepassing of het gebruik van de producten - een adequate en volledige risicoanalyse, evaluatie en test van de producten uit te voeren. SpeedComfort en haar gelieerde ondernemingen of dochterondernemingen zijn niet verantwoordelijk of aansprakelijk voor misbruik van de in dit document vermelde informatie. Als u suggesties voor verbeteringen of wijzigingen heeft of fouten in deze documentatie heeft gevonden, geef dit dan a.u.b. aan ons door.

Bij het installeren en gebruiken van dit product moeten alle relevante nationale, regionale en plaatselijke veiligheidsvoorschriften worden nageleefd. Om veiligheidsredenen en om naleving van de gedocumenteerde systeemgegevens te waarborgen, zal uitsluitend de fabrikant de onderdelen repareren.

Het niet in acht nemen van deze informatie kan lichamelijk letsel of schade aan de apparatuur tot gevolg hebben.

Copyright © 2018 SpeedComfort

Alle rechten voorbehouden. Niets uit deze documentatie mag worden veelevoudigd, verspreid of verzonden worden - in welke vorm of op welke manier dan ook - inclusief fotokopiëren, opnemen of andere elektronische of mechanische methodes, zonder de voorafgaande schriftelijke toestemming van de uitgever. Voor toestemming stuurt u een verzoek t.a.v. de 'Toestemmingscoördinator' naar het onderstaande adres.

SpeedComfort

Antwoordnummer 7200

3734 ZW Den Dolder

Nederland

Tel.: +31 85 666 62 23

E-mail: info@speedcomfort.com

Website: <https://www.speedcomfort.com>

Inhoudsopgave

1.	Inleiding	116
1.1.	Beschrijving van de gebruiker	116
1.2.	Tekstopmaak die in deze handleiding wordt gebruikt	116
1.3.	Uitleg over de veiligheidswaarschuwingen	116
1.4.	Instructies m.b.t. de handleiding	116
1.5.	Documentatie en informatie verkrijgen	117
2.	Beschrijving van het product	118
2.1.	Beoogd gebruik en redelijk te voorzien onjuist gebruik	118
2.2.	Overzicht van het systeem	118
2.3.	Technische gegevens	118
2.4.	Onderdelen	120
3.	Veiligheidsinstructies	125
3.1.	Een veilig gebruik van het product	125
4.	Installatie	127
4.1.	Selecteren van de onderdelen	127
4.2.	SpeedComfort op een radiator bevestigen	128
4.3.	Optimaliseren van de centrale verwarming	134
5.	Onderhoud	135
5.1.	Hoe de SpeedComfort te onderhouden	135
6.	Problemen oplossen	136
7.	Afvalverwijdering	139
7.1.	Verwijdering van het product als afval	139
7.2.	Verwijdering van het verpakkingsmateriaal als afval	139
8.	Woordenlijst	140

1. Inleiding

1.1. Beschrijving van de gebruiker

Deze installatiehandleiding is bedoeld voor de eindgebruiker - in het algemeen de bewoner en/of woningeigenaar - die een of meer SpeedComforts op de radiatoren in zijn woning wil installeren. De gebruiker hoeft geen bijzondere vaardigheden, training of bevoegdheid te hebben om de SpeedComfort te installeren.

1.2. Tekstopmaak die in deze handleiding wordt gebruikt

In dit document wordt de volgende tekstopmaak gebruikt:

Vet

Namen van productelementen

Cursief

Benadrukking (bijvoorbeeld een nieuw begrip)

1.3. Uitleg over de veiligheidswaarschuwingen

VOORZICHTIG

'VOORZICHTIG' duidt op een gevaar met een laag risico dat bij onachtzaamheid, licht of matig lichamelijk letsel tot gevolg kan hebben.

OPMERKING

'OPMERKING' duidt op informatie die belangrijk wordt geacht, maar geen gevaar inhoudt.

1.4. Instructies m.b.t. de handleiding

Lees deze handleiding en de veiligheidsinstructies goed door en zorg ervoor dat u de inhoud begrijpt, voordat u dit product gaat gebruiken.

Volg alle instructies op. Dit voorkomt brand, explosies, elektrische schokken of andere gevaren die lichamelijk letsel en/of materiële schade tot gevolg kunnen hebben.

Het product mag alleen worden gebruikt door personen die deze gebruiksaanwijzing helemaal hebben gelezen en de inhoud ervan hebben begrepen.

Zorg ervoor dat iedereen die het product gebruikt deze waarschuwingen en instructies heeft gelezen en deze in acht neemt.

Bewaar alle veiligheidsinformatie en -instructies voor toekomstig gebruik en geef ze door aan volgende gebruikers van het product.

De fabrikant is niet aansprakelijk voor gevallen van materiële schade en/of persoonlijk letsel veroorzaakt door onjuiste behandeling of het niet naleven van de veiligheidsinstructies. In dergelijke gevallen vervalt de garantie.

1.5. Documentatie en informatie verkrijgen

1.5.1. Internet

De nieuwste versie van de documentatie is beschikbaar op de volgende webpagina:

<https://www.speedcomfort.nl/home/speedcomfort-manual/>

1.5.2. Bestellen van documentatie

Neem voor het bestellen van documentatie, gebruiksaanwijzingen en technische informatie telefonisch contact op met SpeedComfort via nummer: +31 85 666 62 23.

1.5.3. Feedback m.b.t. de documentatie

Als u de productdocumentatie van **SpeedComfort** op het internet leest, dan kunt u uw opmerkingen plaatsen op de support-website. Opmerkingen kunnen ook worden verstuurd naar info@speedcomfort.com.

Wij stellen uw opmerkingen op prijs.

1.5.4. Ondersteuning en service

Neem voor informatie, vragen, technische ondersteuning, service of het bestellen van gebruiksaanwijzingen contact op met:

SpeedComfort

Antwoordnummer 7200

3734 ZW Den Dolder

Nederland

Tel.: +31 85 666 62 23

Website: <https://www.speedcomfort.com>

SpeedComfort is ook zeer geïnteresseerd in uw persoonlijke ervaring met het product. Laat het ons weten via e-mail: ervaringen@speedcomfort.com.

2. Beschrijving van het product

2.1. Beoogd gebruik en redelijk te voorzien onjuist gebruik

De SpeedComfort is bedoeld om te worden gebruikt als een op een cv-radiator te bevestigen ventilator. De SpeedComfort is bedoeld om warmte van de radiator te onttrekken met als doel het betreffende vertrek effectiever te verwarmen.

Het product mag uitsluitend worden gebruikt in overeenstemming met de instructies in deze gebruiksaanwijzing. Elk ander gebruik dan beschreven in deze gebruiksaanwijzing wordt beschouwd als niet-beoogd gebruik. Hierdoor vervalt tevens de garantie.

2.2. Overzicht van het systeem

Dit product bevat verschillende onderdelen die samen een systeem vormen. De SpeedComfort is het belangrijkste onderdeel. Op de SpeedComfort is een voedingsadapter en een temperatuursensor aangesloten. Dat is alles - behalve enkele optionele kabels - wat u nodig heeft voor een *brede radiator* (platen met een tussenafstand van meer dan 70 mm). Voor andere soorten radiatoren waarop de SpeedComfort kan worden aangebracht, heeft u nog andere onderdelen nodig:

- Voor een *smalle radiator* (platen met een afstand tussen 38 mm en 70 mm) heeft u twee beugels nodig (pakket C)
- Voor een *enkelplaat radiator* (meer dan 55 mm van de wand) heeft u twee plaatjes nodig (pakket D)
- Voor een *convector* heeft u twee voetjes nodig (pakket E)

Met behulp van de kabels (30, 60 of 120 cm) kunt u meerdere SpeedComforts met elkaar verbinden. Deze kabels kunnen ook worden gebruikt om de kabels van de voedingsadapter en/of temperatuursensor te verlengen.

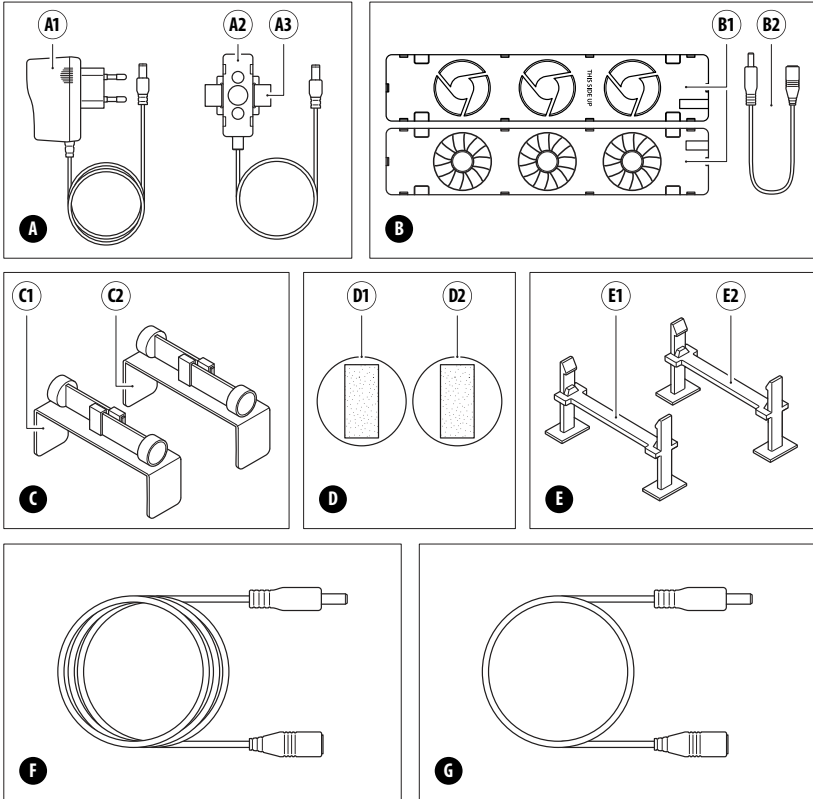
2.3. Technische gegevens

Item	Eenheid
Productnaam	SpeedComfort
Technische levensduur: SpeedComfort	10 jaar
Technische levensduur: Voedingsadapter	2 jaar

Vermogen	0,55 W
Jaarlijks energieverbruik	< 1 kWh
Geluidsniveau	< 20 dB(A)
Luchtstroom	30 m ³
Breedte	70 mm
Uitgang	12 VDC
Stroomvoorziening	100-240 V; 0,25 A 230 VAC
Bereik operationele temperatuur	-20 °C tot +85 °C
Bereik opslagtemperatuur	-40 °C tot +85 °C
Relatieve vochtigheid tijdens gebruik en opslag	max. 80 % (niet-condenserend)

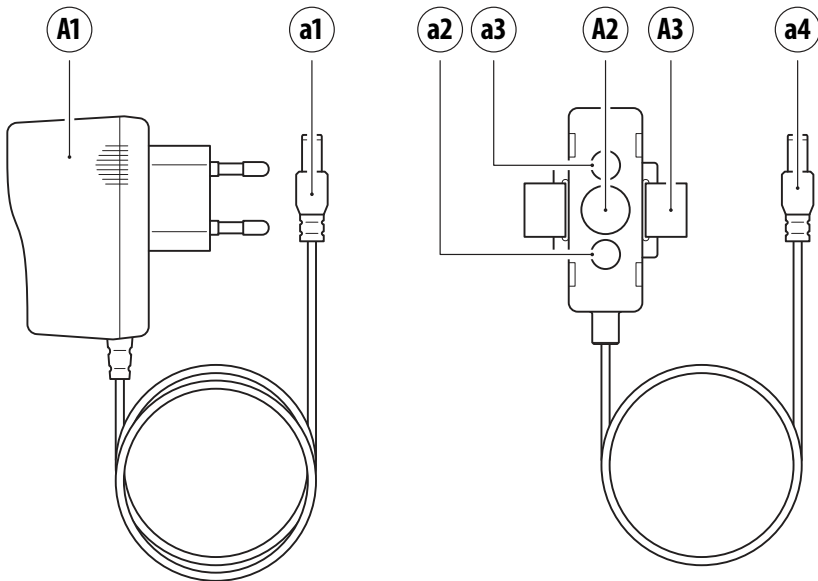
2.4. Onderdelen

2.4.1. Belangrijkste onderdelen per pakket



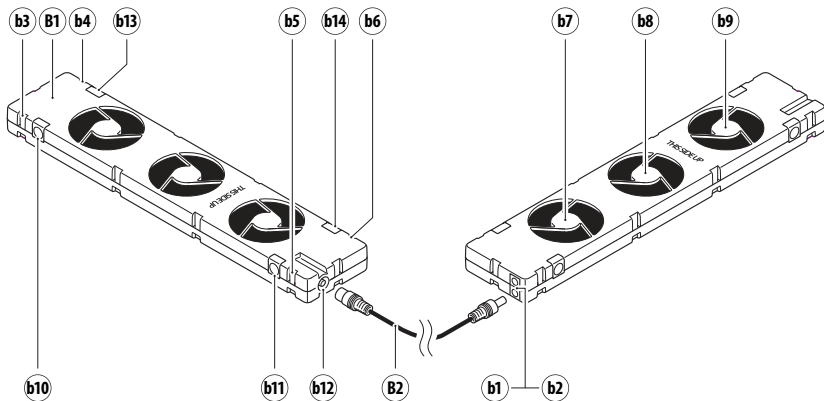
- A. Voedingsadapter (A1) + temperatuursensor (A2) (met klittenband (A3))
- B. SpeedComfort (B1) + 30 cm kabel (B2)
- C. 2 beugels (C1 en C2)
- D. 2 metalen plaatjes (D1 en D2)
- E. 2 voetjes (E1 en E2)
- F. 60 cm kabel
- G. 120 cm kabel

2.4.2. Pakket A: Voedingsadapter en temperatuursensor



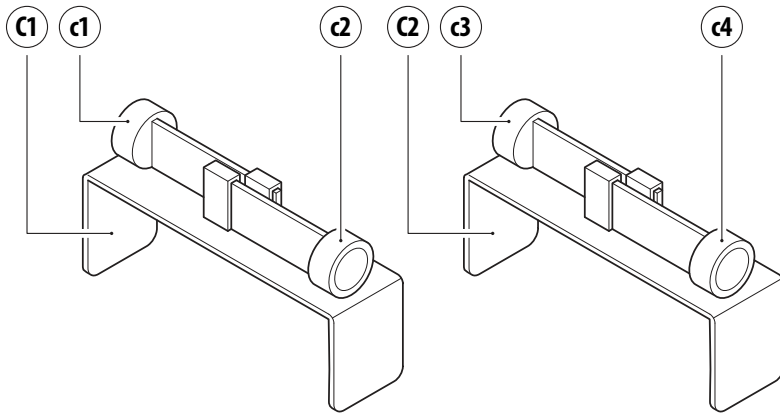
- a1. Voedingsadapterkabel
- A1. Voedingsadapter
- A2. Temperatuursensor
- a2. Magneet
- a3. Magneet
- A3. Klittenband
- a4. Temperatuursensorkabel

2.4.3. Pakket B: SpeedComfort en kabel



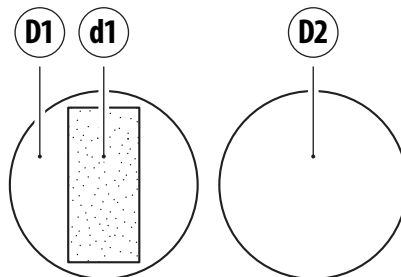
- B1. SpeedComfort
- b1. Vrouwelijke connector
- b2. Vrouwelijke connector
- b3. Inkeping voor bevestiging van beugel of voetje
- b4. Inkeping voor bevestiging van beugel of voetje
- b5. Inkeping voor bevestiging van beugel of voetje
- b6. Inkeping voor bevestiging van beugel of voetje
- b7. Ventilator
- b8. Ventilator
- b9. Ventilator
- b10. Magneet
- b11. Magneet
- b12. Mannelijke connector
- b13. Verstelbare magneet
- b14. Verstelbare magneet
- B2. 30 cm kabel

2.4.4. Pakket C: Beugels



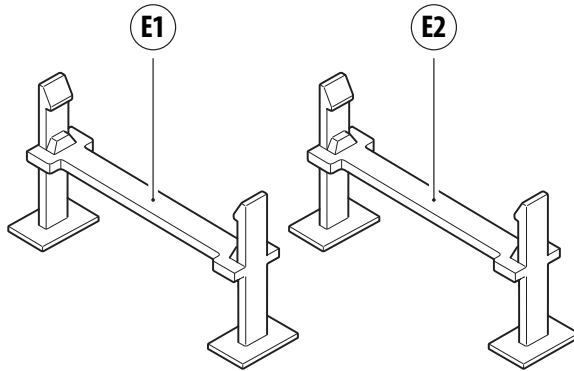
- C1. Beugel
- c1. Verstelbare magneet
- C2. Beugel
- c2. Verstelbare magneet
- c3. Verstelbare magneet
- c4. Verstelbare magneet

2.4.5. Pakket D: Metalen plaatjes



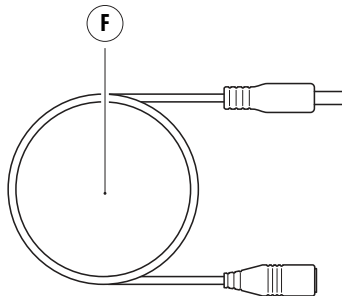
- D1. Metalen plaatje
- d1. Zelfklevend strookje
- D2. Metalen plaatje

2.4.6. Pakket E: Voetje

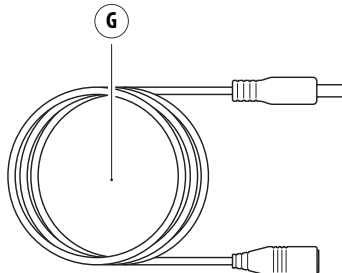


- E1. Voetje
- E2. Voetje

2.4.7. Pakket F: 60 cm kabel



2.4.8. Pakket G: 120 cm kabel



3. Veiligheidsinstructies

VOORZICHTIG

Lees deze handleiding en de veiligheidsinstructies goed door en zorg ervoor dat u de inhoud begrijpt, voordat u de SpeedComfort met de bijpassende onderdelen gaat gebruiken.

3.1. Een veilig gebruik van het product

3.1.1. Veiligheidsinformatie voor kwetsbare mensen

- Laat kinderen nooit alleen bij het verpakkingsmateriaal. Er bestaat gevaar voor verstikking.
- Kinderen mogen niet met het product spelen. Dit product is geen speelgoed.
- Installeer het product niet wanneer u lichamelijk, sensorisch of geestelijk beperkt bent.
- Laat het product niet installeren door personen (met inbegrip van kinderen) met een beperkt lichamelijk, sensorisch of geestelijk vermogen.

3.1.2. Veiligheidsinformatie m.b.t. het beoogde gebruik

- Gebruik dit product uitsluitend als radiatorventilator door het aan een radiator te bevestigen. Volg daartoe de instructies in deze gebruiksaanwijzing op.

3.1.3. Productbeperkingen

- Gebruik geen scherpe voorwerpen in de buurt van de ventilatoren.
- Houd het product uit de buurt van open vuur, soldeerbouten of andere hete gereedschappen, omdat het product anders beschadigd zou kunnen raken.

3.1.4. Veiligheidsinformatie m.b.t. het installeren

- U moet het product zeer zorgvuldig optillen, behandelen en vervoeren.
- Let op en wees voorzichtig bij het installeren van een elektrisch product. Installeer het product niet als u zich niet goed kunt concentreren, zich niet lekker voelt of wanneer u onder invloed bent van medicijnen, alcohol of drugs.
- Voordat u de voedingsadapter in het stopcontact steekt, moet u controleren of de plaatselijke netspanning overeenkomt met de spanning die op het product vermeld staat. De maximaal toegestane spanning is 230V.
- Sluit het product aan op een correct geïnstalleerd en gemakkelijk toegankelijk stopcontact. Zorg ervoor dat het product te allen tijde kan worden losgekoppeld van de stroomvoorziening.

3.1.5. Veiligheidsinformatie m.b.t. het gebruik

- Gebruik het product nooit buitenshuis. Het product is alleen bedoeld voor gebruik binnenshuis.
- Controleer alle onderdelen (inclusief kabels) op eventuele beschadiging voordat u het product gaat installeren. Trek de voedingsadapter onmiddellijk uit het stopcontact in geval van zichtbare beschadiging, sterke geur of oververhitting van de onderdelen.

3.1.6. Veiligheidsinformatie m.b.t. onderhoud

- Raak het product en/of de voedingsadapter nooit met natte handen aan.
- Houd het product uit de buurt van vocht. Wees voorzichtig bij het schoonmaken van het product en/of de radiator waarop het product is aangebracht. Let op dat er geen water door de ventilatoren in het product terecht komt.

3.1.7. Veiligheidsinformatie m.b.t. service en reparatie

- Probeer het product niet te openen, te veranderen of te repareren. Het wijzigen of modificeren van dit product is niet toegestaan. Hierdoor vervalt de garantie.

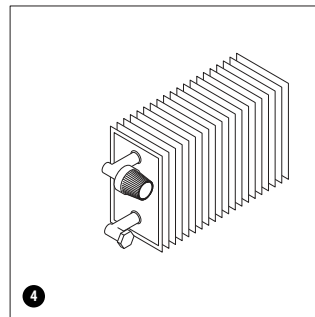
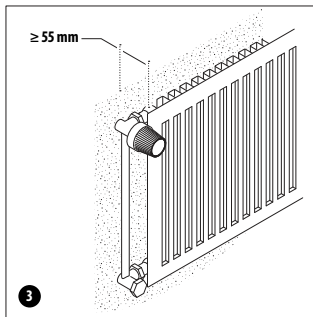
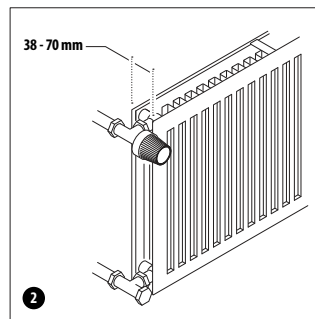
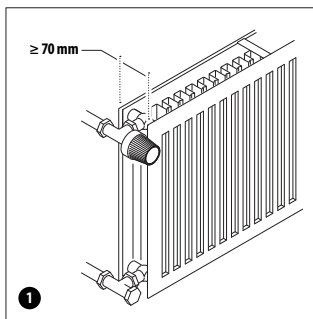
4. Installatie

4.1. Selecteren van de onderdelen

De SpeedComfort kan op verschillende soorten radiatoren worden aangebracht. Voor elke soort radiator is de installatie verschillend. Zorg ervoor dat u - afhankelijk van het soort radiatoren in uw woning - de juiste onderdelen heeft.

Het selecteren van de juiste onderdelen:

1. Inventariseer de soorten radiatoren waarop u de **SpeedComfort** wilt aanbrengen.



- 1 Brede radiatoren zijn radiatoren waarbij de afstand tussen de platen 70 mm of meer is.
- 2 Smalle radiatoren zijn radiatoren waarbij de afstand tussen de platen tussen de 38 mm en 70 mm bedraagt.
- 3 Enkelplaat radiatoren hebben slechts één plaat. De afstand tussen de muur en de radiatorplaat moet ten minste 55 mm bedragen.

- 4 Convectoren zijn radiatoren waar het warme water door een buis stroomt, die omgeven is door kleine metalen lamellen. Een convector is normaal gesproken geïnstalleerd in een convectorbehuizing of een ventilatiekanaal.
2. Selecteer aan de hand van tabel 1 de voor uw radiator benodigde onderdelen.
- OPMERKING** Voor een gemiddelde woonkamer heeft u 3 tot 5 SpeedComforts (pakket B) met de bijpassende onderdelen nodig. Gebruik de onderdelen F & G (kabels van 60 en 120 cm) waar langere kabels nodig zijn.

Type radiator	Onderdelen
Breed (platen ≥ 70 mm tussenafstand)	A & B
Smal (platen ≥ 38 mm en < 70 mm tussenafstand)	A, B & C
Enkelplaat (afstand plaat - muur ≥ 55 mm)	A, B, C & D
Convactor	A, B & E

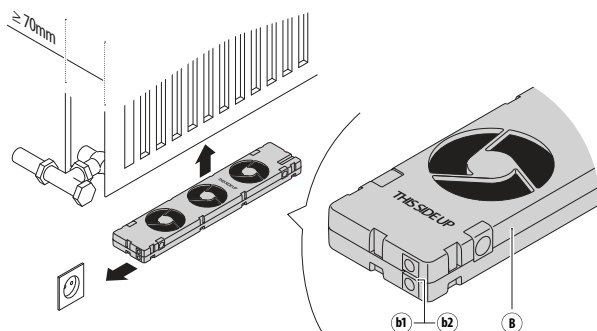
Tabel 1 - Onderdelen per type radiator

4.2. SpeedComfort op een radiator bevestigen

De SpeedComfort kan op verschillende soorten radiatoren worden aangebracht. Voor elke soort radiator is de installatie verschillend. Nadat de specifieke onderdelen voor een bepaalde soort radiator zijn geselecteerd, volgt u dus de specifieke installatiestappen voor dat type radiator.

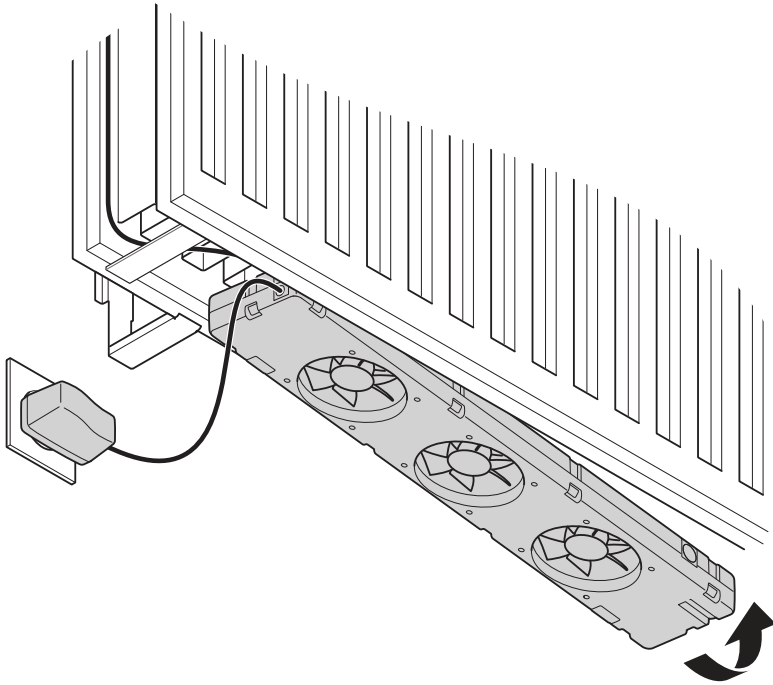
4.2.1. SpeedComfort op een brede radiator (platen ≥ 70 mm tussenafstand) bevestigen

1. Zorg ervoor dat de **SpeedComfort** (B1) naar boven wijst en dat de **vrouwelijke connectoren** (b1, b2) richting stopcontact wijzen (zie afb. 1).



Afb. 1 - Locatie van de SpeedComfort (B1).

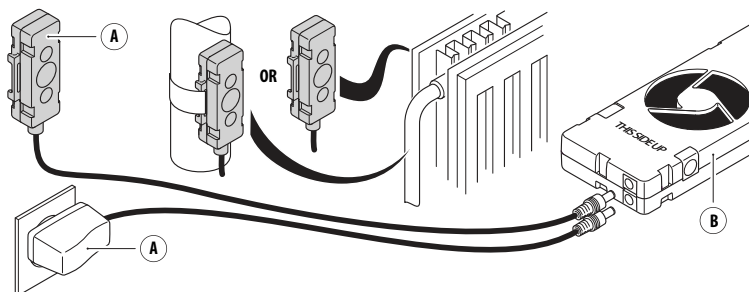
2. Bepaal een plek waar de muurbeugels en vasthouders van de radiator niet in de weg zitten. Bevestig de **SpeedComfort** (B1) aan de onderkant tussen de platen van de radiator met de **verstelbare magneten** (b13, b14) (zie afb. 2). De **SpeedComfort** (B1) kan ook aan de bovenkant van de radiator en onder een afdekkap worden bevestigd. **OPMERKING** Zorg ervoor dat de **ventilatoren** (b7, b8, b9) ook dan naar boven wijzen!



Afb. 2 - Bevestigen van de SpeedComfort (B1).

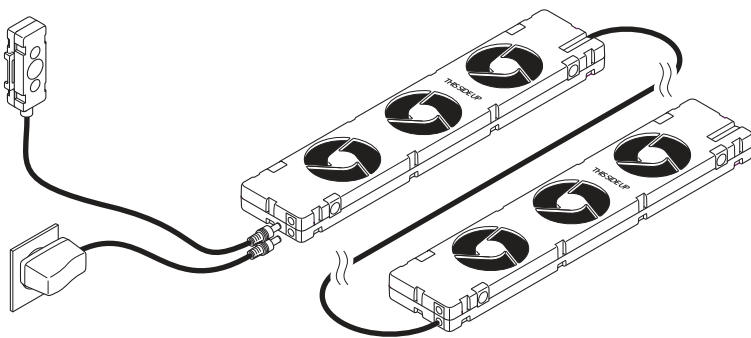
3. Sluit de **kabel van de temperatuursensor** (a4) aan op een van de **vrouwelijke connectoren** (b1 of b2) van de **SpeedComfort** (B1).
4. Bevestig de **temperatuursensor** (A2) met de magneetjes (a2, a3) aan de achterkant van de radiator, in de buurt van de warmwatertoevoerbuï, of aan de toevoerbuï zelf (zie afb. 3).

5. Sluit de **voedingsadapter** (A1) aan op de andere **vrouwelijke connector** (b1 of b2) en steek de adapter in het stopcontact (zie afb. 3).



Afb. 3 - Aansluiten van de voedingsadapter (A1) en temperatuursensor (A2).

6. Voor lange radiatoren kunt u extra **SpeedComforts** (B1) koppelen met de **30 cm lange aansluitkabels** (B2) (zie afb. 4). Er kunnen meerdere **SpeedComforts** (B1) (max. 20) op één **voedingsadapter** (A1) worden aangesloten. Extra **temperatuursensoren** (A2) zijn niet nodig.

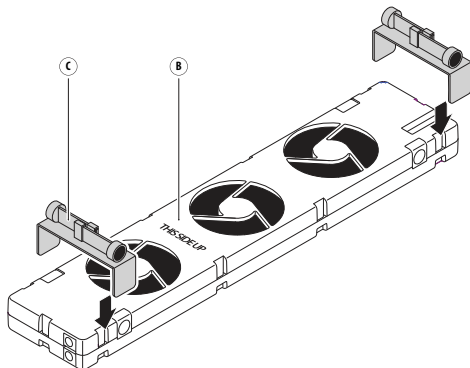


Afb. 4 - Aansluiten van meerdere SpeedComforts (B1).

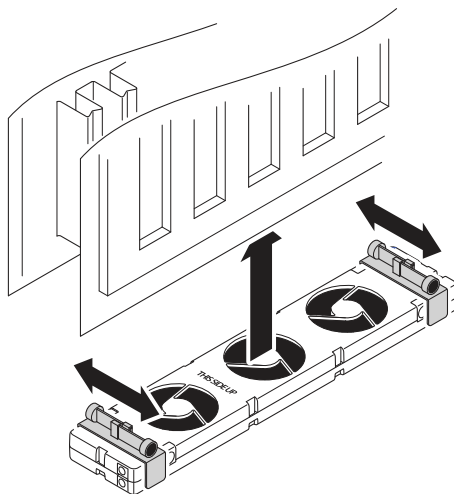
7. Schakel uw cv-installatie in. Wacht tot de **SpeedComfort** (B1) automatisch inschakelt. Dit gebeurt zodra de temperatuur van de radiator hoger wordt dan 33 °C. De SpeedComfort schakelt automatisch uit wanneer de radiator afkoelt tot 25 °C.

4.2.2. SpeedComfort op een smalle radiator (platen ≥ 38 mm en < 70 mm tussenafstand) bevestigen

1. Bevestig de twee **beugels** (C1, C2) aan de bovenkant van de **SpeedComfort** (B1) (zie afb. 5).
2. Voer dezelfde stappen 1-7 als voor de *brede radiator* uit. Gebruik de **verstelbare magneten** (c1, c2, c3, c4) op de **beugels** (C1, C2) om de **SpeedComfort** (B1) tussen de platen te bevestigen (zie fig. 5 en 6). Voor een optimale ventilatie moet u de **SpeedComfort** (B1) uitlijnen met de voorkant van de radiator.



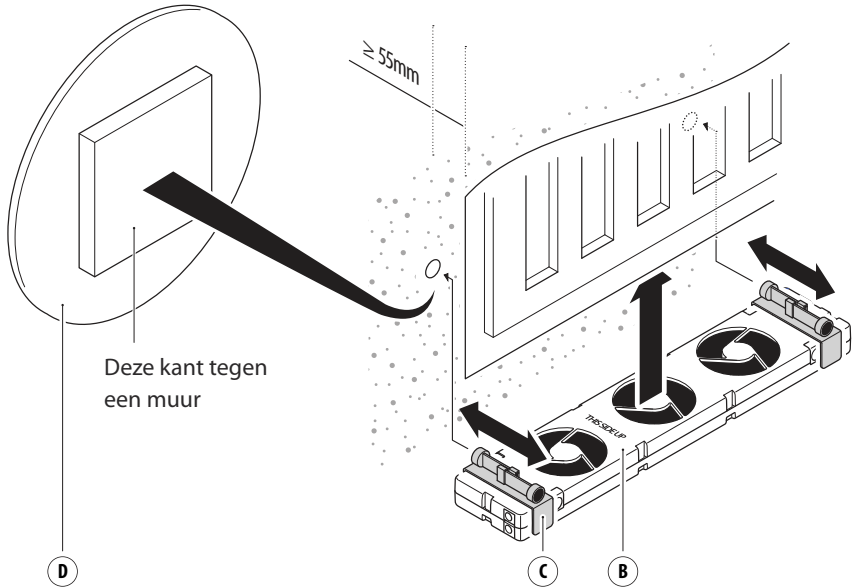
Afb. 5 - Beugels bevestigen op de **SpeedComfort** (B1).



Afb. 6 - SpeedComfort (B1) tussen de platen van de radiator aanbrengen.

4.2.3. SpeedComfort op een enkelplaat radiator (afstand plaat - muur ≥ 55 mm) bevestigen

1. Bevestig de twee **beugels** (C1, C2) aan de bovenkant van de **SpeedComfort** (B1) (zie afb. 5).
2. Voer dezelfde stappen 1-7 als voor de brede radiator uit. Breng op de juiste plek de twee **metalen plaatjes** (D1, D2) op de muur aan. Gebruik de **verstelbare magneten** (c1, c2, c3, c4) op de **beugels** (C1, C2) om de **SpeedComfort** (B1) aan de muur en de enkelplaat radiator te bevestigen (zie afb. 7).

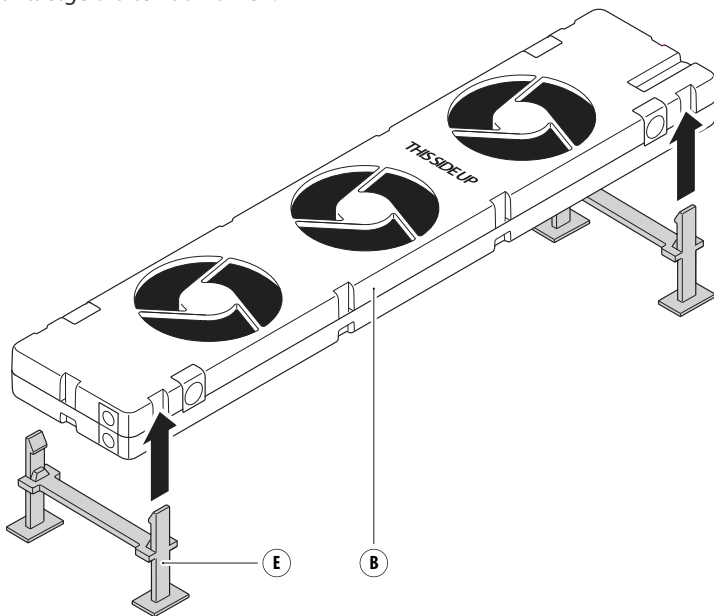


Afb. 7 - Bevestig de SpeedComfort (B1) aan de muur en de enkelplaat radiator.

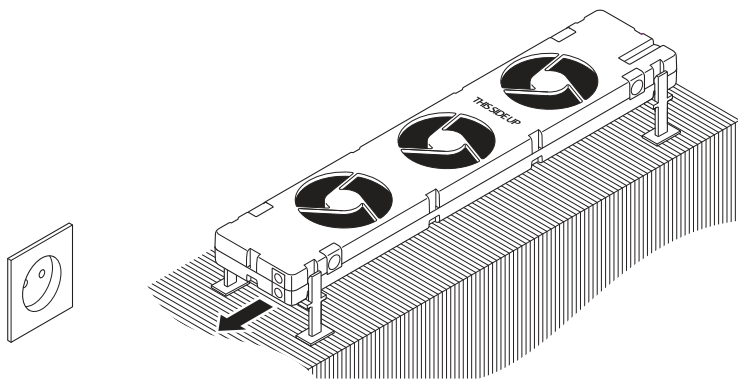
4.2.4. SpeedComfort op een convecteur bevestigen

1. Bevestig de **voetjes** (E1, E2) aan de **SpeedComfort** (B1) door deze in de **inkepingen** (b3, b4) te klikken (zie afb. 8).
2. Zorg ervoor dat de **SpeedComfort** (B1) naar boven wijst en dat de **vrouwelijke connectoren** (b1, b2) richting stopcontact wijzen (zie afb. 9).
3. Plaats de **SpeedComfort** (B1) op de bovenkant van de convecteur en laat ruimte vrij tussen de zijkanten van de convecteur en de **SpeedComfort** (B1) om het geluid te verminderen (zie afb. 9). De SpeedComfort kan ook op de grond onder de convecteur worden geplaatst als de ruimte dit toelaat.

4. Voer dezelfde stappen 3-7 als voor de brede radiator uit. Gebruik het **klittenband** (A3) om de **temperatuursensor** (A2) aan niet-magnetisch materiaal te bevestigen. Zorg ervoor dat de **SpeedComfort** (B1) geen metalen delen raakt om contactgeluid te voorkomen.



Afb. 8 - Bevestigen van een voetje (E1 of E2).



Afb. 9 - Plaats de **SpeedComfort** (B1) op de convector.

4.3. Optimaliseren van de centrale verwarming

De SpeedComfort onttrekt warmte uit de radiator en verwarmt het betreffende vertrek sneller en gelijkmatiger. Dit kan het energieverbruik in uw woning tot 30% verminderen. Om deze besparing te realiseren, moeten echter een aantal zaken worden geoptimaliseerd: De SpeedComforts moeten over de hele woning worden verspreid; het temperatuur instelpunt van de cv-ketel moet worden verlaagd; en het centrale verwarmingssysteem moet waterzijdig ingeregeld zijn.

4.3.1. Verdelen van de SpeedComforts

1. Installeer in een (gemiddelde) woonkamer 3 tot 5 **SpeedComforts** (B1) (met bijpassende onderdelen).
2. Installeer **SpeedComforts** (B1) in alle regelmatig gebruikte vertrekken.

Dit zorgt ervoor dat alle lucht in het vertrek één keer per uur wordt gecirculeerd (de SpeedComfort circuleert 30 m³ lucht per uur).

4.3.2. Verlagen van het temperatuur instelpunt

1. Verlaag handmatig het temperatuur instelpunt van de centrale verwarming tot ten minste 60 °C. Raadpleeg de handleiding van uw cv-installatie of vraag een servicemonteur om dit te doen. Dit kan eventueel stapsgewijs worden gedaan om het optimale instelpunt te vinden. Een lager instelpunt bespaart meer energie.
2. Zorg ervoor dat de servicemonteur van de cv-installatie het instelpunt niet terugzet naar de fabrieksinstellingen (75 - 90 °C).

De **SpeedComfort** onttrekt warmte aan de radiator en verwarmt het betreffende vertrek sneller. Hierdoor kan de cv-ketel eerder uitschakelen, waardoor energie wordt bespaard.

4.3.3. Waterzijdig inregelen

Optimaliseer de werking van uw cv-installatie middels de radiatorschroef, de standaard instelling van de thermostaat of een afzonderlijke radiatorkraan. **VOORZICHTIG!** Vraag een cv-servicemonteur om u te helpen bij het waterzijdig inregelen van de cv-installatie. Dit is geen standaardprocedure en vereist specialistische kennis.

Waterzijdig inregelen optimaliseert de distributie van het water in een cv-installatie. Dit is nodig voor een efficiënt gebruik van energie en zorgt ervoor dat de temperaturen in de vertrekken niet variëren.

Meer informatie over energiebesparing en minder verliezen vindt u op: www.speedcomfort.com.

5. Onderhoud

5.1. Hoe de SpeedComfort te onderhouden

5.1.1. Product reinigen

De SpeedComfort en bijpassende onderdelen kunnen indien nodig gereinigd worden.

Om het product te reinigen:

1. Als het product vuil is, reinig het dan met een stofzuiger. **VOORZICHTIG!** Zorg ervoor dat u de laagste zuigkracht op de stofzuiger instelt.
2. Reinig het product indien echt nodig met een vochtige doek. **VOORZICHTIG!** Let op dat er geen water door de ventilatoren in de SpeedComfort terecht komt.

5.1.2. Vervangen van onderdelen

Als er een onderdeel kapot gaat, dan moet het vervangen worden. **VOORZICHTIG!** Probeer het product niet te openen, te veranderen of te repareren.

Om onderdelen te vervangen:

1. Laat defecte onderdelen die nog steeds onder de garantie vallen, vervangen door de leverancier. De SpeedComfort heeft een garantie van tien jaar en de voedingsadapter heeft een garantie van twee jaar. **OPMERKING** Om veiligheids- en controle redenen (CE) zijn wijzigingen of modificaties van dit product niet toegestaan.
2. Defecte onderdelen die niet meer onder de garantie vallen, moet u weggooien en vervangen door nieuwe onderdelen.

6. Problemen oplossen

Probleem	Oorzaak	Oplossing
SpeedComfort (B1) past niet tussen de radiatorplaten.	U heeft een smalle radiator.	Koop twee beugels (C1, C2) en volg de instructies voor de installatie van een smalle radiator op.
SpeedComfort (B1) past niet aan de onderkant van de radiator.	Er is te weinig ruimte.	Bevestig de SpeedComfort (B1) aan de bovenkant van de radiator. Dit heeft geen invloed op de prestaties. De onderkant heeft alleen de voorkeur omdat het product dan minder zichtbaar is. Zorg ervoor dat de SpeedComfort (B1) ook dan naar boven wijst.
De SpeedComfort (B1) moet aan de bovenkant van de radiator worden bevestigd, maar de radiator heeft een afdekkap.	N.V.T.	Bevestig de SpeedComfort (B1) onder de afdekkap. Houd er rekening mee dat hierdoor de SpeedComfort (B1) wordt blootgesteld aan hogere temperaturen, waardoor de levensduur enigszins korter kan zijn.
Kan de magneten (b10, b11, b13, b14) op de SpeedComfort niet verstellen.	Slechts twee van de vier magneten (b13, b14) zijn verstelbaar.	Gebruik de twee verstelbare magneten (b13, b14).
Kan de SpeedComfort (B1) niet aansluiten op het stopcontact.	De SpeedComfort (B1) is aangebracht met de twee vrouwelijke connectoren (b1, b2) aan de verkeerde kant of de kabel van de voedingsadapter (a1) is niet lang genoeg.	Draai de SpeedComfort (B1) om zodat de twee vrouwelijke connectoren (b1, b2) in de andere richting wijzen of sluit de kabel van de voedingsadapter (a1) aan op een langere kabel (F of G).
Kan twee SpeedComforts (B1) niet met elkaar verbinden middels de meegeleverde 30 cm kabel (B2).	De afstand is te groot / de kabel is te kort.	Koop een extra 60 cm of 120 cm kabel (F of G) om de SpeedComforts (B1) met elkaar te verbinden.

De temperatuursensor (A2) kan de warmwatertoevoerbus niet bereiken.	De kabel van de temperatuursensor (a4) is te kort.	Koop een extra 60 cm of 120 cm kabel (F of G) en sluit de kabel van de temperatuursensor (a4) aan. De temperatuursensor (A2) kan ook aan de achterkant van de radiator worden bevestigd.
Kan de SpeedComfort (B1) niet bevestigen aan een enkelplaat radiator.	De SpeedComfort (B1) moet tussen de muur en de radiator worden bevestigd, maar de magneten (c1, c3) kunnen niet aan de muur worden bevestigd, omdat deze niet magnetisch is.	Koop twee metalen plaatjes (D1, D2) en bevestig deze op de muur op de plek waar de SpeedComfort magneten (c1, c3) moeten worden bevestigd.
De SpeedComfort (B1) kan niet tussen de muur en de enkelplaat radiator worden aangebracht.	De ruimte is meestal te klein (minder dan 70 mm).	Koop twee beugels (C1, C2) en volg de instructies voor installatie van een enkelplaat radiator op. Als de ruimte minder is dan 5,5 cm dan past de SpeedComfort (B1) niet tussen de platen. Breng in dit geval voetjes (E) aan op de SpeedComfort (B1) en plaats het product op de vloer onder de radiator.
SpeedComfort (B1) werkt niet nadat deze op het stopcontact is aangesloten.	De temperatuursensor (A2) detecteert geen temperatuur van 33 °C of hoger of de SpeedComfort (B1) krijgt geen spanning.	<ul style="list-style-type: none"> • Zorg ervoor dat de radiator ingeschakeld is. • Zorg ervoor dat de temperatuursensor (A2) aan de warmwatertoevoerbus is bevestigd, of bevestig de sensor vlak bij deze bus op de radiator waar deze warm wordt. • Zorg ervoor dat de temperatuursensor (A2) goed contact maakt. • Als de radiator niet goed opwarmt, ontlucht de cv-installatie dan en overweeg om de cv-installatie waterzijdig te laten inregelen. • Controleer of het stopcontact in orde is en of de voedingsadapter (A1) goed in het stopcontact zit.
Kan de temperatuursensor (A2) niet op de convector bevestigen.	Convectoren die zijn gemaakt van koper of aluminium, zijn niet magnetisch.	Gebruik het meegeleverde klittenband (A3) om de temperatuursensor (A2) te bevestigen.

De SpeedComfort (B1) lijkt de warmteafgifte van de radiator niet te verhogen.	De SpeedComfort (B1) is mogelijk naar beneden gericht. Hierdoor stroomt de lucht in de verkeerde richting; tegen de stroom in, in plaats van met de stroom mee.	Draai de SpeedComfort (B1) om zodat de SpeedComfort (B1) naar boven gericht is. De bovenkant is de kant waar de ventilatoren (b7, b8, b9) drie witte beschermstrips hebben.
Er wordt geen 30% op de energierekening bespaard.	De cv-installatie is niet voldoende geoptimaliseerd of de cv-installatie werkte al optimaal vóór het aanbrengen van de SpeedComforts (B1).	Optimaliseer de cv-installatie (zie paragraaf 4.3) door de SpeedComforts (B1) over de hele woning te verdelen, de temperatuur van de cv-ketel in te stellen en de installatie waterzijdig in te regelen. Als de cv-installatie al vóór de installatie van de SpeedComforts (B1) optimaal werkte, dan is het wellicht niet mogelijk om 30% te besparen.
Oude gietijzeren radiator of enkelplaat radiator met een afstand < 55 mm tussen plaat en muur.	Geen van de 4 vermelde soorten radiatoren.	Breng de voetjes (E) aan op de SpeedComfort (B1) en plaats het product op de vloer onder de radiator.
De SpeedComfort (B1) maakt te veel geluid wanneer deze op de convector wordt geplaatst.	Dit kan contactgeluid zijn.	Zorg ervoor dat de SpeedComfort (B1) geen metalen delen raakt. Om deze reden moeten ook de voeten (E) worden bevestigd.
De SpeedComfort (B1) schakelt niet uit wanneer de radiator uit staat / koud is.	De temperatuursensor (A2) schakelt het product niet uit.	Zorg ervoor dat de SpeedComfort (B1) op de juiste wijze op de temperatuursensor (A2) aangesloten is.

Antwoorden op veelgestelde vragen (FAQ's) vindt u op: www.speedcomfort.com.

7. Afvalverwijdering

7.1. Verwijdering van het product als afval



Dit symbool op het product, geeft aan dat dit product niet mag worden behandeld als normaal huishoudelijk afval, maar gescheiden moet worden ingezameld! Lever het product in bij een inzamelpunt voor het recyclen van afgedankte elektrische en elektronische apparaten als u binnen de EU woont of in

andere Europese landen die aparte inzamelingssystemen hebben voor afgedankte elektrische en elektronische apparaten. Door het product op de juiste manier als afval te verwijderen, helpt u mogelijk risico voor het milieu en de volksgezondheid te voorkomen, dat anders zou kunnen ontstaan door een verkeerde behandeling van afgedankte apparatuur. Het recyclen van materialen draagt bij aan het behoud van onze natuurlijke hulpbronnen. Daarom mag u uw afgedankte elektrische en elektronische apparaten niet weggooien met het normale huishoudelijk afval.

7.2. Verwijdering van het verpakkingsmateriaal als afval

Voer het verpakkingsmateriaal af via uw plaatselijke recyclingfaciliteit. Door het verpakkingsmateriaal en verpakkingsafval op de juiste manier als afval te verwijderen, helpt u mogelijk risico voor het milieu en de volksgezondheid te voorkomen.

8. Woordenlijst

Begrip	Betekenis
Verstelbare magneten	Dit zijn de magneten (b13, b14, c1, c2, c3, c4) op zowel de SpeedComfort (B1) als de beugels (C1, C2) die voor optimale bevestiging <i>iets verplaatst kunnen worden</i> . Dit is nodig, omdat de afstand tussen de platen van radiatoren verschillend kan zijn.
Beugel	Dit is de <i>steun</i> waarmee de verstelbare magneten (c1, c2, c3, c4) aan de SpeedComfort (B1) bevestigd worden. Deze verstelbare magneten (c1, c2, c3, c4) zijn nodig om de SpeedComfort (B1) aan een smalle radiator te bevestigen, omdat de magneten (b10, b11, b13, b14) op de SpeedComfort (B1) niet tussen deze radiatorplaten passen.
CV-systeem	Een centraal verwarmingssysteem distribueert warmte in het hele interieur van een gebouw (of gedeelte van een gebouw) <i>vanaf één centraal punt</i> naar meerdere vertrekken.
Convector	Een convector is een radiator waar het warme water door een buis stroomt, die omgeven is door <i>kleine metalen lamellen</i> . Een convector is normaal gesproken geïnstalleerd <i>in een convectorbehuizing of een ventilatiekanaal</i> . De SpeedComfort (B1) wordt middels twee voetjes (E) bovenop een convector geplaatst.
Ventilator	Een ventilator bestaat uit <i>roterende bladen</i> die de lucht laten stromen. De SpeedComfort (B1) heeft 3 ventilatoren.
Voetjes / voetje	De voetjes (E) worden aan de onderkant van de SpeedComfort (B1) bevestigd. Ze <i>zorgen voor ruimte</i> tussen de convector en de SpeedComfort (B1).
Waterzijdig inregelen	Dit is het <i>optimaliseren van de cv-installatie</i> middels de radiatorschroef, de standaard instelling van de thermostaat of een afzonderlijke radiatorkraan.
Metalen plaatje	Dit is een klein rond metalen plaatje (D) dat op de <i>muur moet worden aangebracht</i> wanneer de SpeedComfort (B1) op een enkelplaat radiator wordt bevestigd. De verstelbare magneten (c1, c3) kunnen zich aan deze plaatjes hechten.
Smalle radiator	Dit is een radiator met een <i>afstand van minder dan 70 mm</i> tussen de platen.
Optimaal	Het beste of meest gunstige
Optimaliseren	Het beste of meest effectief gebruikmaken van iets

Voedingsadapter	De voedingsadapter (A1) voorziet de SpeedComfort (B1) van <i>spanning</i> .
Beschermstrips	<i>Bovenop de SpeedComfort (B1) heeft elk van de ventilatoren drie beschermende witte strips. Deze moeten zich aan de bovenkant bevinden wanneer de SpeedComfort (B1) geïnstalleerd wordt.</i>
Enkelplaat radiator	Dit is een radiator met slechts <i>een plaat</i> . De SpeedComfort (B1) moet tussen de muur en de enkelplaat radiator worden bevestigd.
Inkeping	Dit is de plaats aan de onderkant van de SpeedComfort (B1) waar de voetjes (E) kunnen worden bevestigd.
Temperatuursensor	De sensor bestaat uit een temperatuurgevoelige schakelaar, een behuizing en twee magneten. De sensor wordt bevestigd aan de warmwatertoevoerbus van de radiator en <i>schakelt de SpeedComfort (B1) automatisch in wanneer de sensor een temperatuur van 33 °C detecteert.</i>
Temperatuur instelpunt	Dit verwijst naar de instelling van de maximum temperatuur van de cv-installatie. Dit is de <i>temperatuur waarop de cv-ketel uitschakelt.</i>
Stopcontact	Het stopcontact voorziet de voedingsadapter (A1) van <i>netspanning</i> .
Warmwatertoevoerbus	Dit is de bus die warm water aan de radiator levert. De temperatuursensor (A2) moet bij voorkeur worden bevestigd op de achterkant van de radiator, vlak bij deze bus of op de bus zelf, omdat deze altijd warm is wanneer de radiator in bedrijf is.
Brede radiator	Brede radiatoren zijn radiatoren waarbij de <i>afstand tussen de platen 70 mm of meer is.</i>

www.speedcomfort.com

